



Let The Good Ideas Flow.

Cryogenic Bronze & SS Pressure Reducing Valve

773 (Bronze), 779 (SS) Series, PN25



BSPT, NPT Ends

Applications	Liquid, Gas & Oxygen Services
Working Temperature	-196°C to +190°C
Max Working Pressure	2.5 Mpa (362 psi), Non-Shock Cold

Standards

Degreased, Packed and labelled for Oxygen Services (ASTM G93)
 Design accordance with EN12516 part 1, 2 & 4, AS1210, AS1271, ASME 16.24, ASME B16.34
 End Connection: ISO 7-1, ASME B1.20.1
 Tested to API 598
 CE, Pressure Equipment Directive (97/23/EC)

Notes

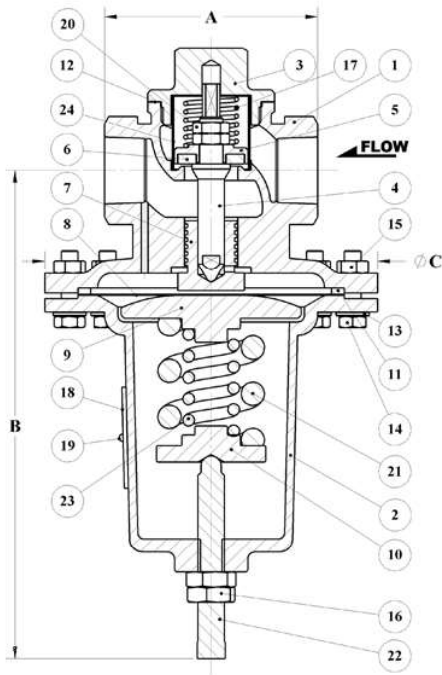
Various sizes are available upon request
 Various materials (HTB1, Monel) are available upon request
 *Material Comparison

	ASTM/UNS	AS/NZS
Gun Metal	C62 C83600	1565 C83600A
Brass	C455 C38500	1567 C38500
Mn.Br.	C68600	1567 C68600
AB Brass	C48600/C35200	1567 C48600/C35200

Face to Face Dimensions (mm)

VALVE SIZE	END CONNECTIONS - A		WEIGHT (Kg)
	7738CR 7798CR (BSPT)	7738ACR 7798ACR (NPT)	
15mm	95.0	95.0	3.4
20mm	95.0	95.0	4.5
25mm	102.0	102.0	6.0

Bill Of Materials



ITEM NO.	DESCRIPTION	773 SERIES (BRONZE) MATERIAL	779 SERIES (STAINLESS STEEL) MATERIAL
1	BODY	*AS/NZS 1565 C83600A	ASTM A351 Gr CF8M
2	SPRING COVER	*AS/NZS 1565 C83600A	ASTM A351 Gr CF8M
3	CAP	*AS/NZS 1565 C83600A	ASTM A351 Gr CF8M
4	SPINDLE	*AS/NZS 1567 C68600	ASTM A276 Gr 316
5	DISC HOLDER	*AS/NZS 1567 C48600/C35200	ASTM A276 Gr 316
6	DISC	P.T.F.E.	P.T.F.E.
7	UPPER DIAPHRAGM PAD	*AS/NZS 1567-C48600/C35200	ASTM A276 Gr 316
8	DIAPHRAGM	ASTM B194 C17200	ASTM A240 Gr 302
9	DIAPHRAGM PAD	*AS/NZS 1567 C38500	ASTM A276 Gr 316
10	SPRING PAD	*AS/NZS 1567 C38500	ASTM A276 Gr 316
11	GASKET	P.T.F.E.	P.T.F.E.
12	CAP GASKET	P.T.F.E.	P.T.F.E.
13	FLAT WASHER	ASTM A240 Gr 304	ASTM A240 Gr 304
14	HEX HEAD BOLT	ASTM A276 Gr 304	ASTM A276 Gr 304
15	HEX. NUT	ASTM A276 Gr 304	ASTM A276 Gr 304
16	LOCKNUT	*AS/NZS 1567 C38500	ASTM A276 Gr 316
17	BALANCE SPRING	AISI 304, ASTM A276	ASTM A276 Gr 304
18	NAMEPLATE	ALUMINIUM	ALUMINIUM
19	DRIVE PIN	ASTM A276 Gr 304	ASTM A276 Gr 304
20	LOCKNUT	*AS/NZS 1567 C38500	ASTM A276 Gr 316
21	SPRING	ASTM A313 Gr 304	ASTM A313 Gr 304
22	ADJUSTING SCREW	*AS/NZS 1567 C38500	ASTM A276 Gr 304
23	SPRING	ASTM A313 Gr 304	ASTM A313 Gr 304
24	SCREEN ASSEMBLY	*AS/NZS 1567 C38500	ASTM A240 Gr 316

Dimensions (mm)

VALVE SIZE	B	C	Cv - US gal/min	Kv m3/hr
15mm	200	134	1.5	1.3
20mm	200	134	3.3	2.9
25mm	240	159	8.4	7.3