



Let The Good Ideas Flow.



# Cryogenic Bronze & SS Wafer Check Valve

## 334 (Bronze), 330 (SS)

150#, 300#

Applications	Liquid, Gas & Oxygen Services
Working Temperature	-196°C to +190°C
Max Working Pressure (Bronze)	150# 1.55Mpa (225 psi), Non-Shock Cold 300# 3.45Mpa (500 psi), Non-Shock Cold
Max Working Pressure (SS)	150# 1.90Mpa (276 psi), Non-Shock Cold 300# 4.96Mpa (720 psi), Non-Shock Cold

### Notes

Various materials (HTB1, Monel) are available upon request

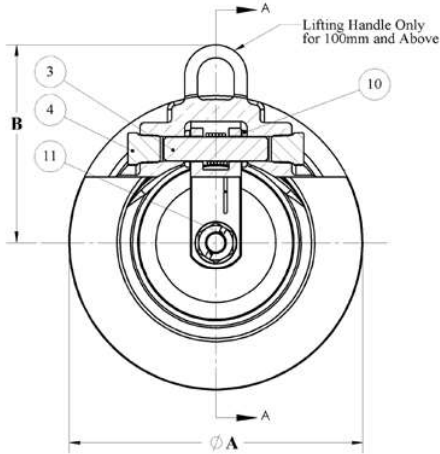
\*Materials Comparison

	ASTM/UNS	AS/NZS
Gun Metal	B62 C83600	1565 C83600A
Brass	B455 C38500	1567 C38500
AB Brass	C48600/C35200	1567 C48600/C35200
Mn.Br.	C68600	1567 C68600

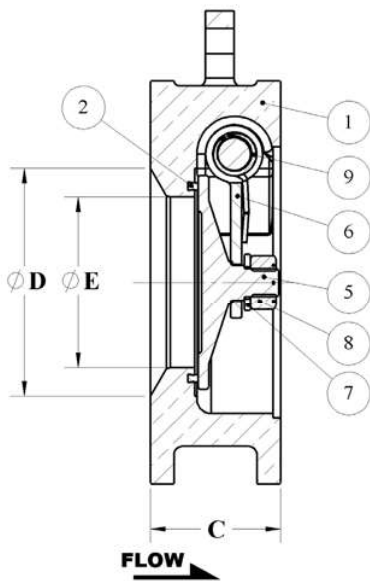
### Face to Face Dimensions (mm)

VALVE SIZE	END CONNECTIONS - C		WEIGHT (kg)
	3301ACR 3341ACR (150#)	3303ACR 3343ACR (300#)	
50mm	45	45	1.8
80mm	48	48	3.6
100mm	58	58	5.8
150mm	70	70	9.0
200mm	73	73	15.7
250mm	80	80	39.5
300mm	96	96	49.5

## Bill Of Materials



ITEM NO.	DESCRIPTION	330 SERIES (STAINLESS STEEL) MATERIAL	334 SERIES (BRONZE) MATERIAL
1	BODY	ASTM A351 Gr CF8M	*AS/NZS 1565 C83600A
2	SEAT RING	P.T.F.E	P.T.F.E
3	PIN	ASTM A276 GR 316	*AS/NZS 1567 C68600
4	PLUG	ASTM A276 GR 316	*AS/NZS 1567 C48600/C35200
5	DISC	ASTM A351 Gr CF8M	*AS/NZS 1565 C83600A
6	ARM	ASTM A351 Gr CF8M	*AS/NZS 1565 C83600A
7	FLAT WASHER	ASTM A240 Gr 316	*AS/NZS 1567 C38500
8	LOCK NUT	ASTM A194 8	*AS/NZS 1567 C38500
9	SPRING	ASTM A240 Gr 304	ASTM A240 Gr 304
10	SPACER	P.T.F.E	P.T.F.E
11	SPLIT PIN	ASTM A276 GR 304	*AS/NZS 1567 C38500



## Dimensions (mm)

VALVE SIZE	3301ACR 3341ACR (150#)	3303ACR 3343ACR (300#)	B	D	E
	A	A			
50mm	103	108	60	45	34
80mm	135	148	98	70	51
100mm	171	179	120	100	75
150mm	220	249	156	152	114
200mm	277	305	197	203	156
250mm	338	361	221	254	197
300mm	407	419	267	305	242