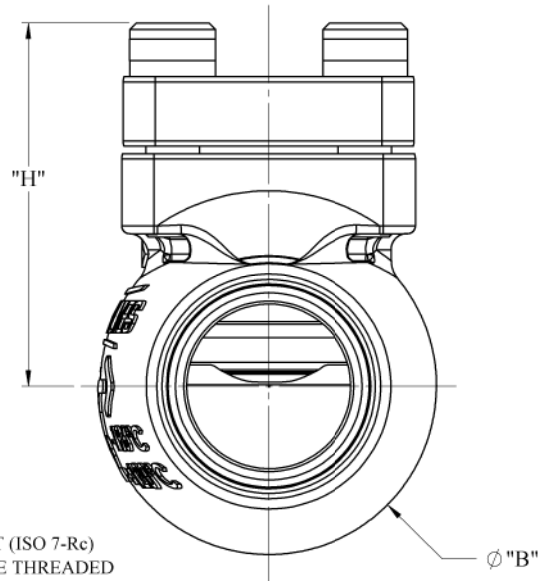
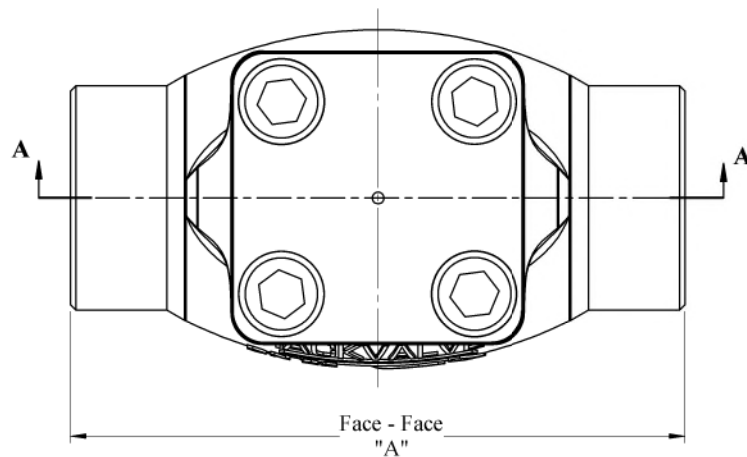


**SECTION A-A**



ITEM NO.	DESCRIPTION	MATERIAL	QTY.
1	BODY - BSPT ENDS	G.M.	1
2	BONNET	G.M.	1
3	GASKET	P.T.F.E.	1
4	DISC HOLDER	BRASS	1
5	DISC	TEF-C	1
6	DISC RETAINING WASHER	BRASS	1
7	HEX NUT	BRASS	1
8	SOCKET HEAD CAP SCREW	A2-70 S.S.	4

ABBREV	MAT. SPECIFICATION
G.M.	GUNMETAL TO ASTM B62 UNS C83600
BRASS	BRASS TO BS 2847 CZ121 UNS C38500
A2-70 S.S.	ISO 3506-1 A2-70 S.S. Gr 304ss
P.T.F.E.	VIRGIN PTFE
TEF-C	25% CARBON FILLED P.T.F.E.



**APPROVED**  
By Chris.Browell at 11:09 am, 9/10/21

VALVE SIZE	A		B		H		J	Cv US	Kv	WEIGHT	
	mm	inch	mm	inch	mm	inch	BSPT	gal/min	m3/hr	kg	lbs
15mm	85.0	3.35	44.0	1.73	60.0	2.36	1/2"	4.9	4.2	1.0	2.22
20mm	100.0	3.94	56.0	2.20	63.0	2.48	3/4"	7.7	6.6	1.4	3.10
25mm	115.0	4.53	61.0	2.40	68.0	2.68	1"	13.3	11.4	1.7	3.77
40mm	130.0	5.12	88.0	3.46	89.0	3.50	1 1/2"	26.2	22.5	3.3	7.26
50mm	155.0	6.10	102.0	4.02	94.0	3.70	2"	43.1	37.0	5.1	11.22

- NOTES:**
- MAWP 50 BAR (725 PSI), NON-SHOCK COLD.
  - DEGREASED, PACKED & LABELLED FOR OXYGEN SERVICE IN ACCORDANCE WITH MACK QA DOCUMENT P/W 20 LATEST REVISION.
  - DESIGN STANDARDS USED, ASME B16.34, ASME VIII, EN12516-PART 1, 2 & 4.
  - TESTED IN ACCORDANCE TO ISO 5208, API 598 and EN 1626:2008.
  - SUITABLE FOR LIQUID AND GAS SERVICE INCLUDING OXYGEN.
  - SPRING CAN BE ADDED UPON REQUEST.

DIMENSIONS AS PER TABLE				MAX WORKING PRESSURE 50 BAR		TITLE: <b>DN 15-50, PN 50 Bronze Cryo Check Valve - BSPT Ends</b>	
VALVE MANUFACTURED IN ACCORDANCE WITH EN 12516		UNSPECIFIED LIMITS: DIM TOL ± 2.0mm		WORKING TEMPERATURE -196°C to +120°C		MODEL NO: 6E4-12108	
This design and print are the property of MACK VALVES PTY. LTD. neither may be used whereby the company's interests are prejudicially affected and this print must be returned upon request.		1 DRAWING RELEASED		CB SB 10/09/2021		DRAWING NO: 15800as3	
ISS CHANGE		BY CKD DATE		SHEET SIZE A3		MACK VALVES LETTING GOOD IDEAS FLOW	
				SCALE 1:1			