



# Cryogenic Bronze 4 Way Diverting Valve

## 104 Series, PN25

### BSPT, NPT Ends

<b>Applications</b>	Liquid, Gas & Oxygen Services
<b>Working Temperature</b>	-196°C to +190°C
<b>Max Working Pressure</b>	2.5 Mpa (362.5 psi), Non-Shock Cold

### Standards

Degreased, Packed for Oxygen Services (ASTM G93)  
 Design accordance with EN12516 part 2 & 4, AS1210, EN 1626, ASME 16.24  
 End Connection: ISO 7-1, ASME B1.20.1  
 Tested to ISO 5208, API 598  
 CE, Pressure Equipment Directive (97/23/EC)

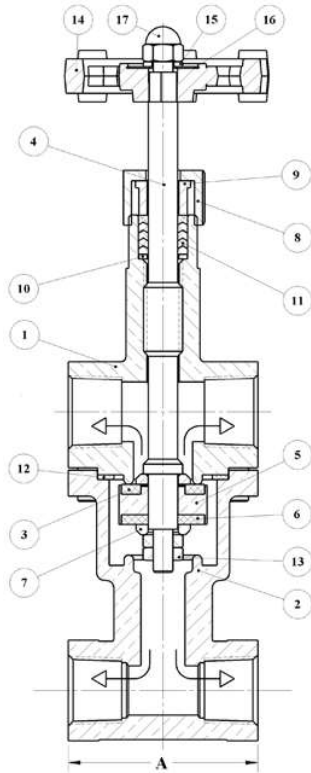
### Notes

Various schedule pipe and tube connections are available upon request  
 Various materials (HTB1) are available upon request

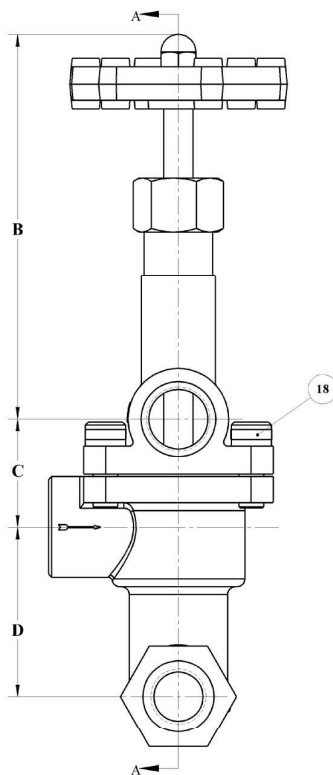
### Face to Face Dimensions (mm)

VALVE SIZE	END CONNECTIONS - A		WEIGHT (Kg)
	1048CR (BSPT)	1048ACR (NPT)	
15mm	62	62	1.8

## Bill Of Materials



ITEM NO.	DESCRIPTION	MATERIAL
1	BODY	*AS/NZS 1565 C83600A
2	BOTTOM BODY	*AS/NZS 1565 C83600A
3	DISC	PTFE, GLASS FILLED
4	SPINDLE	ASTM A276 GR 304
5	DISC HOLDER	*AS/NZS 1567 C38500
6	DISC	PTFE, GLASS FILLED
7	DISC WASHER	*AS/NZS 1567 C38500
8	GLAND NUT	*AS/NZS 1567 C38500
9	GLAND	*AS/NZS 1567 C38500
10	GLAND WASHER	*AS/NZS 1567 C38500
11	V-PACKING	P.T.F.E.
12	GASKET	P.T.F.E.
13	HEX NUT	*AS/NZS 1567 C38500
14	HANDWHEEL	C. ALUMINIUM
15	FLAT WASHER	*AS/NZS 1567 C38500
16	NAMEPLATE	ASTM A240 Gr 304
17	DOME NUT	ASTM A240 Gr 304
18	SHCS	ASTM A4-70



## Dimensions (mm)

VALVE SIZE	B (Open)	C	D	Cv - US gal/min	Kv m3/hr
15mm	125	35	55	3.7	3.2