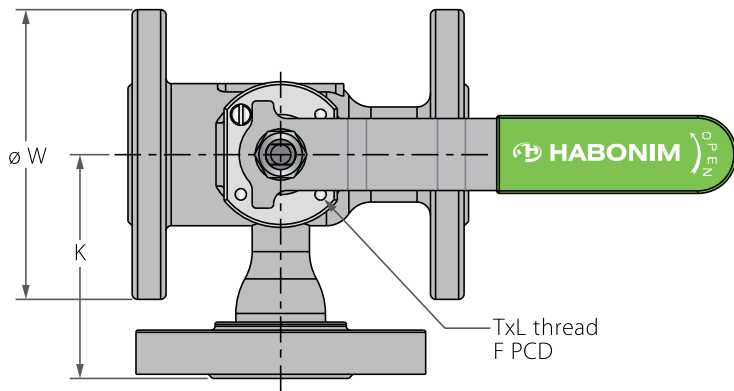
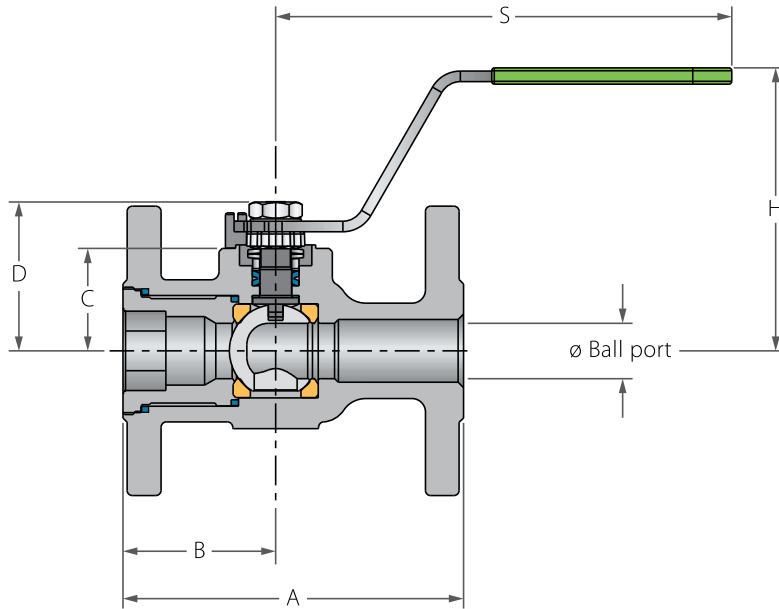
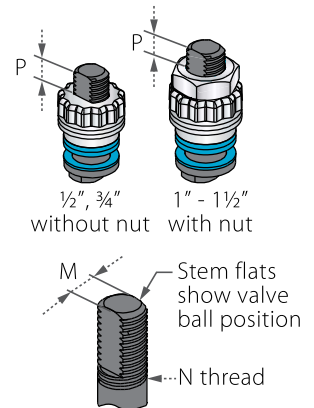


Side Entry Floating Ball Flanged

Valve dimensions



Preparation for actuation

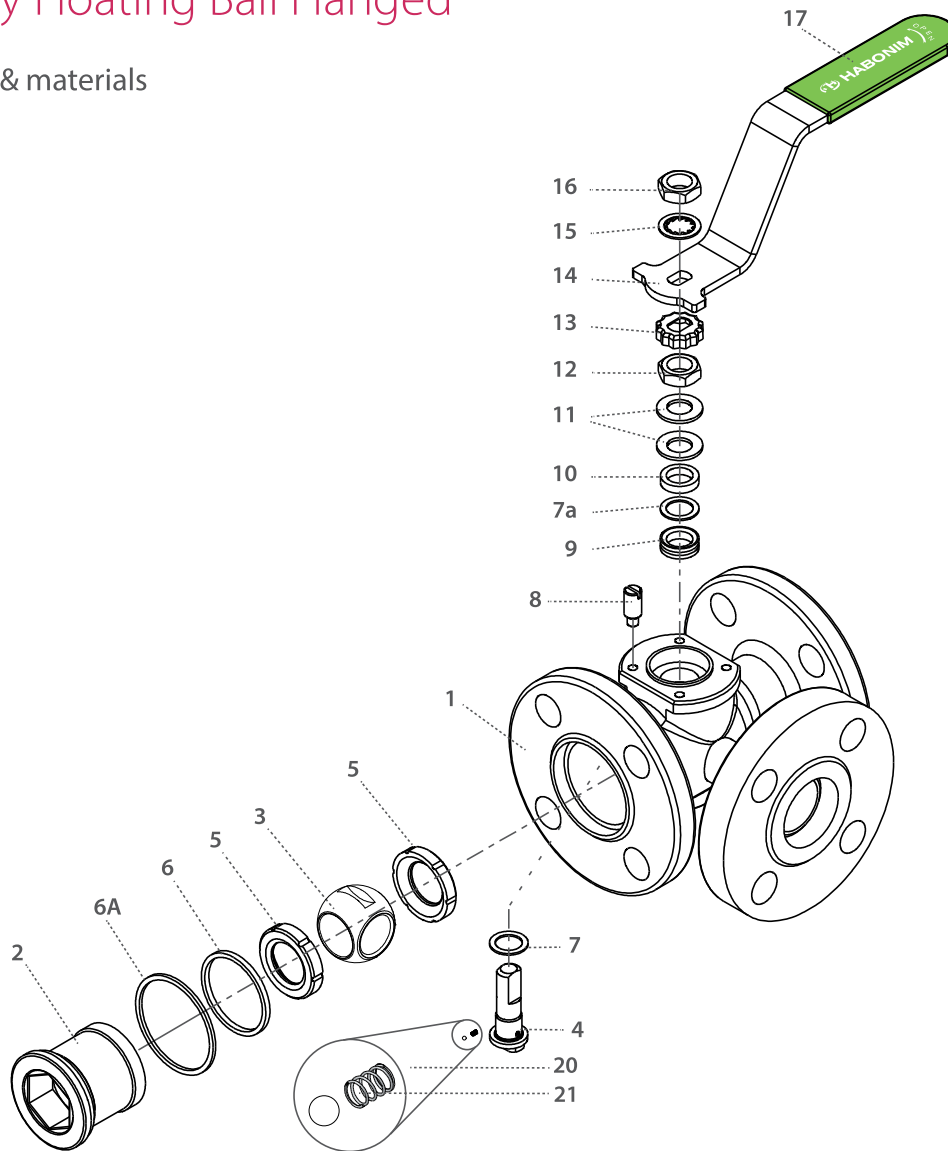


Std. port	Unit	Ball port1	Ball port2	A		B	C	D	H	K		S		W		M	N	P	F	Weight kg/lb		Kv
				150	300					150	300	150	300	150	300					150	300	
DN15	mm	13.50	11.15	108.00	140.00	46.00	29.00	38.00	92.00	84.5	84.5	151.00	88.90	95.25	5.54	3/8	6.65	(F03)	36.00	1.7	2.4	2.8
1/2"	inch	0.53	0.44	4.25	5.50	1.81	1.14	1.50	3.62	3.33	3.33	5.94	3.50	3.75	0.22	UNF	0.26	1.42	3.8	5.3	3.3	
DN20	mm	17.50	14.30	117.00	152.00	49.00	31.40	40.30	94.00			151.00	98.55	163.07	5.54	3/8	6.65	(F03)	36.00	2.3	3.3	4
3/4"	inch	0.69	0.56	4.61	6.00	1.93	1.24	1.59	3.70			5.94	3.88	6.42	0.22	UNF	0.26	1.42	5.1	7.3	5	
DN25	mm	23.50	20.60	127.00	165.00	57.00	38.20	55.60	103.50	83.5	109	170.00	107.95	123.95	7.54	7/16	7.40	(F04)	42.00	3.1	4.6	8
1"	inch	0.93	0.81	5.00	6.50	2.25	1.50	2.19	4.07	3.29	4.29	6.69	4.25	4.88	0.30	UNF	0.29	1.65	7.3	10.2	9	
DN40	mm	39.00	31.80	165.00	190.00	62.00	43.60	73.10	119.20	98.5	161	220.50	127.00	155.52	8.71	9/16	8.50	(F05)	50.00	5.5	8.7	40
1 1/2"	inch	1.54	1.25	6.50	7.50	2.44	1.72	2.88	4.70	3.88	6.34	8.68	5.00	6.10	0.34	UNF	0.33	1.97	12.2	19.3	46	
DN50	mm	48.00	38.20	178.00	216.00	68.00	48.30	77.80	123.90	122	129	220.50	152.40	165.10	8.71	9/16	8.50	(F05)	50.00	8.1	10.8	42
2"	inch	1.89	1.50	7.00	8.50	2.67	1.90	3.06	4.88	4.8	5.07	8.68	6.00	6.50	0.34	UNF	0.33	1.97	18	24	49	



Side Entry Floating Ball Flanged

Components & materials



Item	Description	Material specification	Qty.
1	Body	Acc. Ordering Code	1
2	Plug	Acc. Ordering Code	1
3	Ball	Acc. Ordering Code	1
4	Stem	Acc. Ordering Code	1
5*	Seat	Acc. Ordering Code	2
6*	Body seal	PTFE	1
6A	Outer seal	Acc. Ordering Code	1
7*	Stem thrust seal	PEEK, CF PEEK, PCTFE	1
7a	Anti-abrasion ring	PEEK, CF PEEK, PCTFE	1
8	Stop pin	S. Steel	1
9*	Stem seal	CF PTFE, TFM	1
10	Follower	S. Steel	1

Item	Description	Material specification	Qty.
11	Disc spring	S. Steel	2
12	Stem nut	S. Steel	1
13	Locking clip	S. Steel	1
14	Handle	S. Steel	1
15	Serrated washer	S. Steel	1
16	Handle nut	S. Steel	1
17	Sleeve	PVC	1
20	Anti-static spring	S. Steel	1
21	Anti-static plunger	S. Steel	1
23	Tag (not shown)	S. Steel	1

* Repair kit components

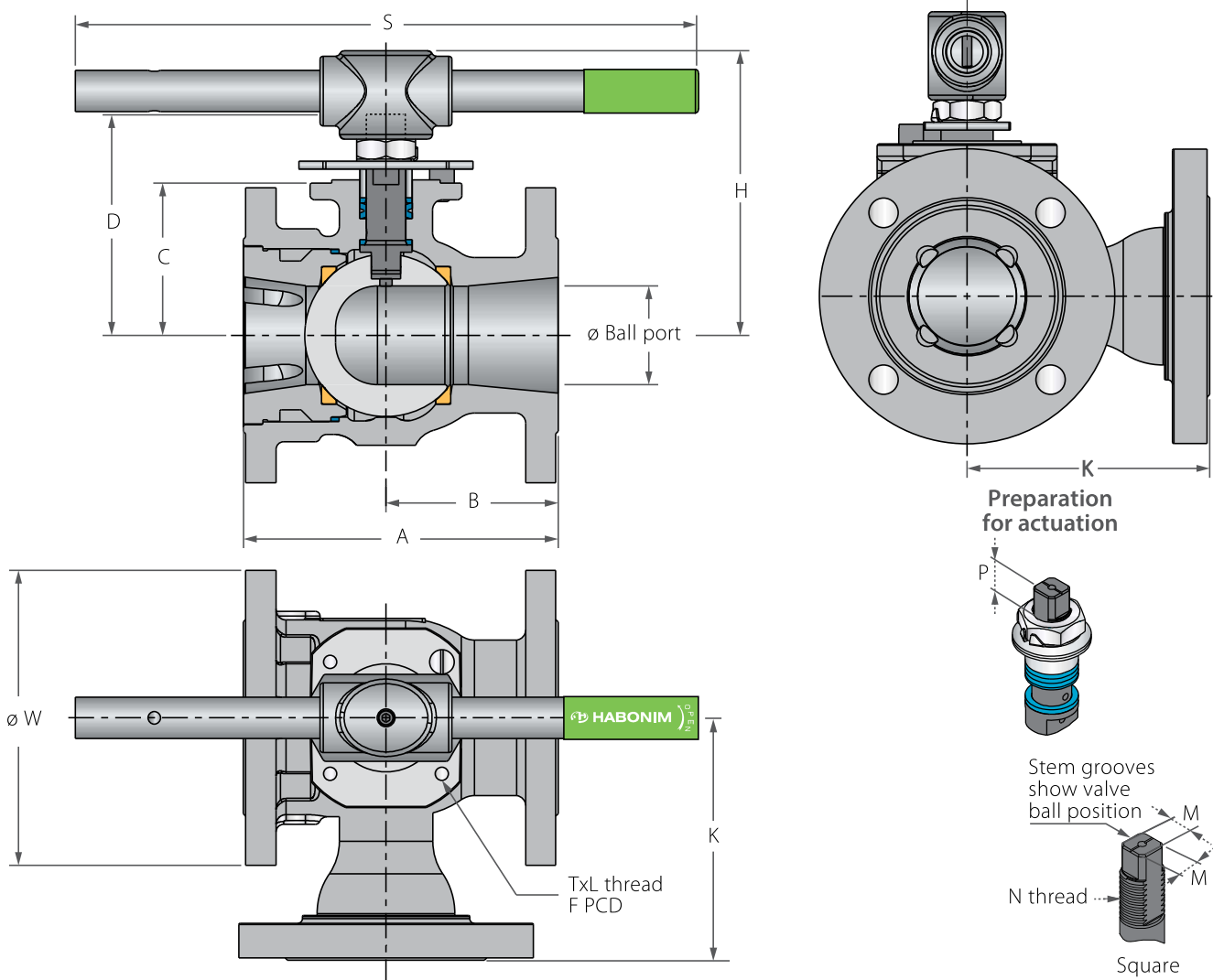
S31

S32

3"-8" | DN80-DN200 | CLASS 150/300

Side Entry Floating Ball Flanged

Valve dimensions

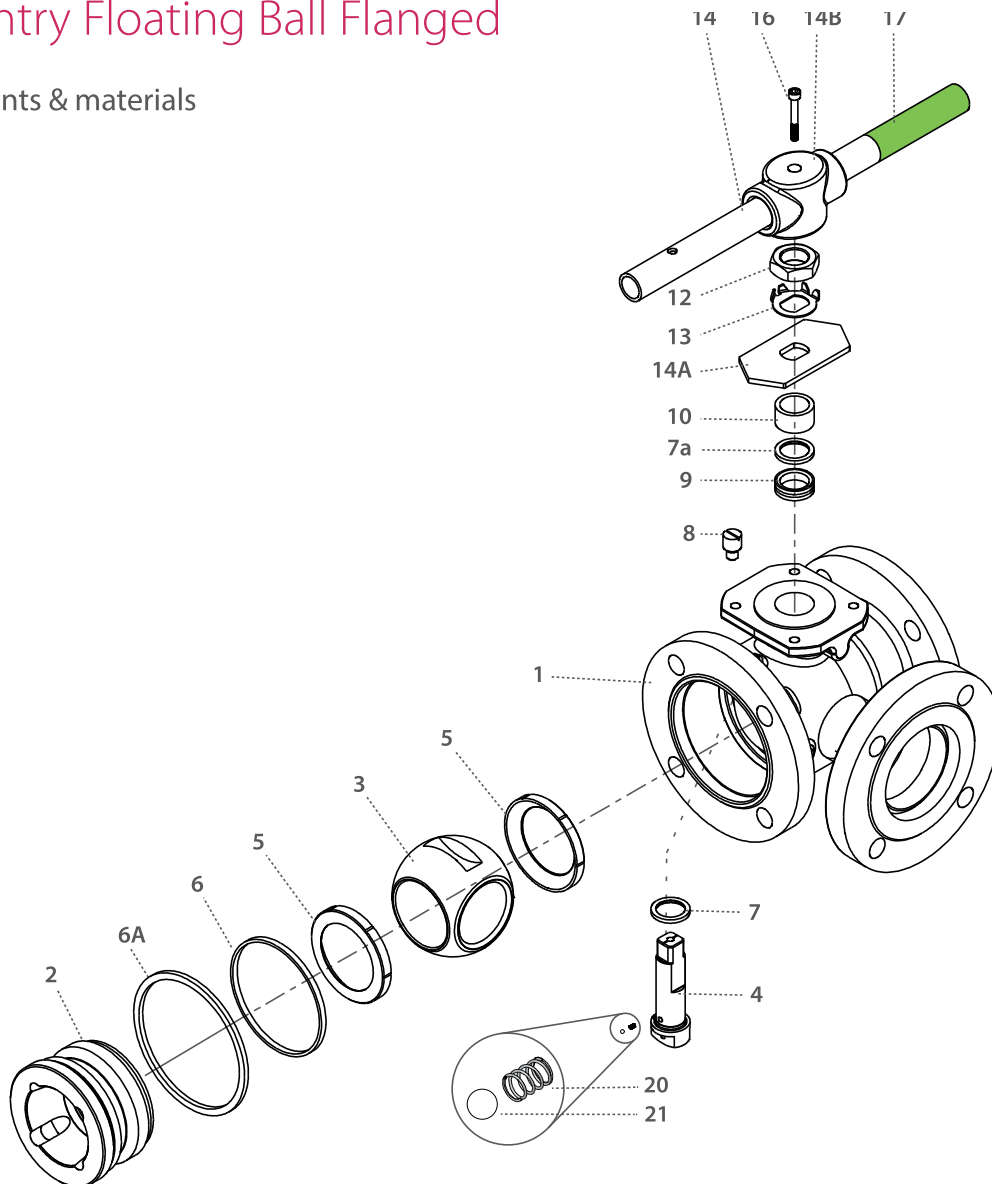


Std. port	Unit	Ball port1	Ball port2	A		B	C	D	H	K		S		W		M	M-DD	N	P	F	TxL	Weight kg/lb		Kv
				150	300					150	300	150	300											
DN80	mm	63.50	50.00	203.00	284.00	92.00	98.40	145.00	185.10	156.5	160.2	400.00	190.50	209.55	18.90	15.90	1"-14	16.70 (F10)	102.00	M10x20	18.00	22.70	129	
3"	inch	2.50	1.97	8.00	11.18	3.62	3.88	5.72	7.28	6.16	6.31	15.75	7.50	8.25	0.74	0.63	UNS-2A	0.66	4.02	M10x20	40.00	50.40	150	
DN100	mm	82.60	63.00	229.00	305.00	102.00	114.10	161.00	201.00	185.6	185	610.00	228.60	254.00	18.90	15.90	1"-14	16.70 (F10)	102.00	M10x20	28.20	36.30	182	
4"	inch	3.25	2.48	9.00	12.00	4.00	4.49	6.34	7.91	7.31	7.28	24.01	9.00	10.00	0.74	0.63	UNS-2A	0.66	4.02	M10x20	62.80	80.60	211	
DN150	mm	111.10	78.00	267.00	403.20	108.00	157.40	226.00	285.90	248		916.00	279.40	317.50	28.45	23.75	1½"-12	26.20 (F12)	125.00	M12x20	41.00	69.00	437	
6"	inch	4.38	3.07	10.50	15.88	4.25	6.20	8.91	11.25	9.76		36.08	11.00	12.50	1.12	0.94	UNF-2A	1.03	4.92	M12x20	91.00	153.00	507	
DN200	mm	144.40	98.00	292.00	419.00	163.50	185.20	254.00	313.60		295	916.00	342.90	381.00	28.45	23.75	1½"-12	26.20 (F12)	125.00	M12x20	82.00	105.00	698	
8"	inch	5.68	3.86	11.50	16.50	5.37	7.30	10.00	12.34		11.61	36.08	13.50	15.00	1.12	0.94	UNF-2A	1.03	4.92	M12x20	182.00	233.00	810	



Side Entry Floating Ball Flanged

Components & materials



Item	Description	Material specification	Qty.
1	Body	Acc. Ordering Code	1
2	Plug	Acc. Ordering Code	1
3	Ball	Acc. Ordering Code	1
4	Stem	Acc. Ordering Code	1
5*	Seat	Acc. Ordering Code	2
6*	Body seal	PTFE	1
6A	Outer seal	Acc. Ordering Code	
7*	Stem thrust seal	PEEK, CF PEEK, PCTFE (KEL-F)	1
7a	Anti-abrasion ring	PEEK, CF PEEK, PCTFE (KEL-F)	1
8	Stop pin	S. Steel	1
9*	Stem seal	CF PTFE, TFM	1
10	Follower	S. Steel	1

Item	Description	Material specification	Qty.
11	Disc spring	S. Steel	2
12	Stem nut	S. Steel	1
13	Tab lock washer	S. Steel	1
14	Handle	S. Steel	1
14A	Stop plate	S. Steel	1
14B	Wrench head	S. Steel	1
16	Wrench bolt	S. Steel	1
17	Sleeve	PVC	1
20	Anti-static spring	S. Steel	2
21	Anti-static plunger	S. Steel	2
23	Tag (not shown)	S. Steel	1

* Repair kit components

D31

S31

D32

S32



Diverter I Side Entry Floating Ball Flanged - Ordering Code System

"Mandatory option" options are marked with **green background** | "Standard offer" options are marked with **light green background**

1	2	3	4	5	6	7	8	9	10	11	12	13	14	15	16	17	18	19	20	21	22	23	24	#	26	.	.	30
6	0				D	3	1	W	-	6	6	6	6	A	T	G	/	B	W	1	0	9	0					
Size		Features				Series		Design		Body/end material		Ball/Stem material		Seat material	Inner Seal material	Outer Seal material		End connection			Rotation		Special features					

Size (1-2)		
Code	inch	mm
05	½"	15
07	¾"	20
10	1"	25
15	1½"	40
20	2"	50
30	3"	80
40	4"	100
60	6"	150
80	8"	200

Features (3-6)	
D	Diverter bottom entry
S	Diverter side entry
O	Clean assembly for O2 service
H	H Hydrogen service

Series (7-8)	
D31	ANSI #150 flanged bottom entry
S31	ANSI #150 flanged side entry
D32	ANSI #300 flanged bottom entry
D32	ANSI #300 flanged side entry

Design (9)	
W	Total HermetiX Integrity package

Body/Ends material (11-12)	
6	S. SteelCF8M/CF3M
4	C. steel A216 WCB/A105
D	Duplex A479
K	Super Duplex A479
S	254SMO A479

Ball material (13)	
6	S. SteelCF8M/CF3M
M	High Strength S. Steel
S	254SMO
D	Duplex
K	Super Duplex

Stem material (14)	
6	S. Steel316L
M	High Strength S. Steel
Z	Inconel 718 B637
D	Duplex A479
K	Super Duplex A479
S	254SMO A479

Seat material (15)	
A	TFM
P	CF PTFE
K	CF PEEK
L	Virgin Peek
U	UHMWPE
C	PCTFE
Y	Delrin
W	PVDF
T	PTFE

Inner Seal Material (16)	
T	PTFE
A	TFM
G	Expanded graphite
U	UHMWPE
V	Viton
B	NBR

Outer Seal (17)	
G	Expanded graphite
T	PTFE
A	TFM
U	UHMWPE
V	Viton
B	NBR

End Connection (19-22)	
Flanged	
150	ASME B16.5 #150 RF
300	ASME B16.5 #300 RF
PN16	EN1092 PN16 RF
PN40	EN1092 PN40 RF

Rotation (23 -25)	
90	90 degrees rotation
180	180 degrees rotation applicable for bottom entry diverter valve L

Special Features (24-30)	
Valve Special Stem Seals	
HC	High Cycle service
AAX	FDA compliant stem seal. TFM thrust bearing and X shape gasket
PPX	CF PTFE thrust and X shape gasket
CAX	PCTFE thrust and TFM X shape gasket
CPX	PCTFE thrust and CF PTFE X shape gasket