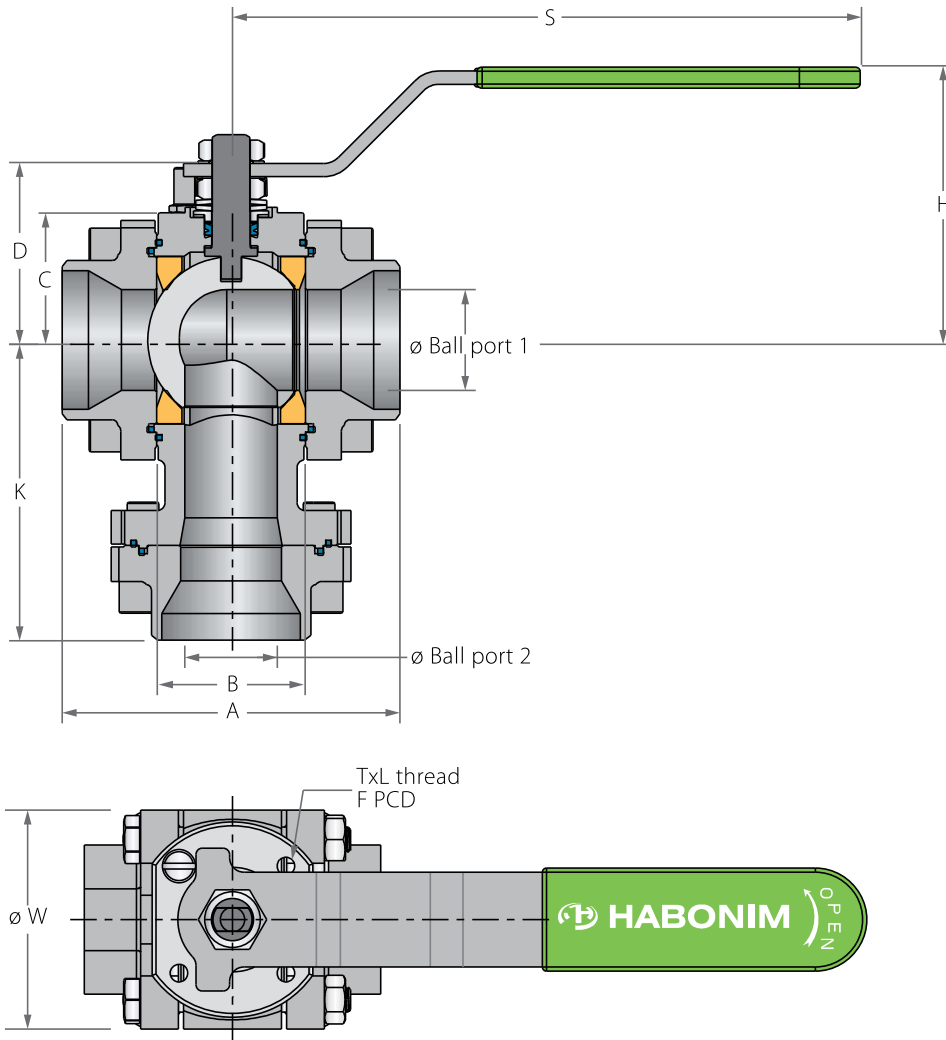
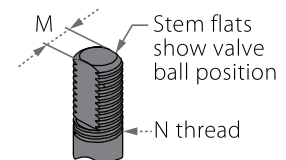
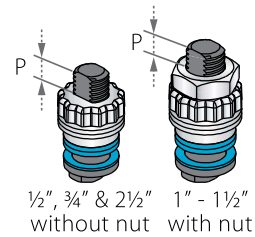


Diverter Floating Ball 3 Piece

Valve dimensions



Preparation for actuation

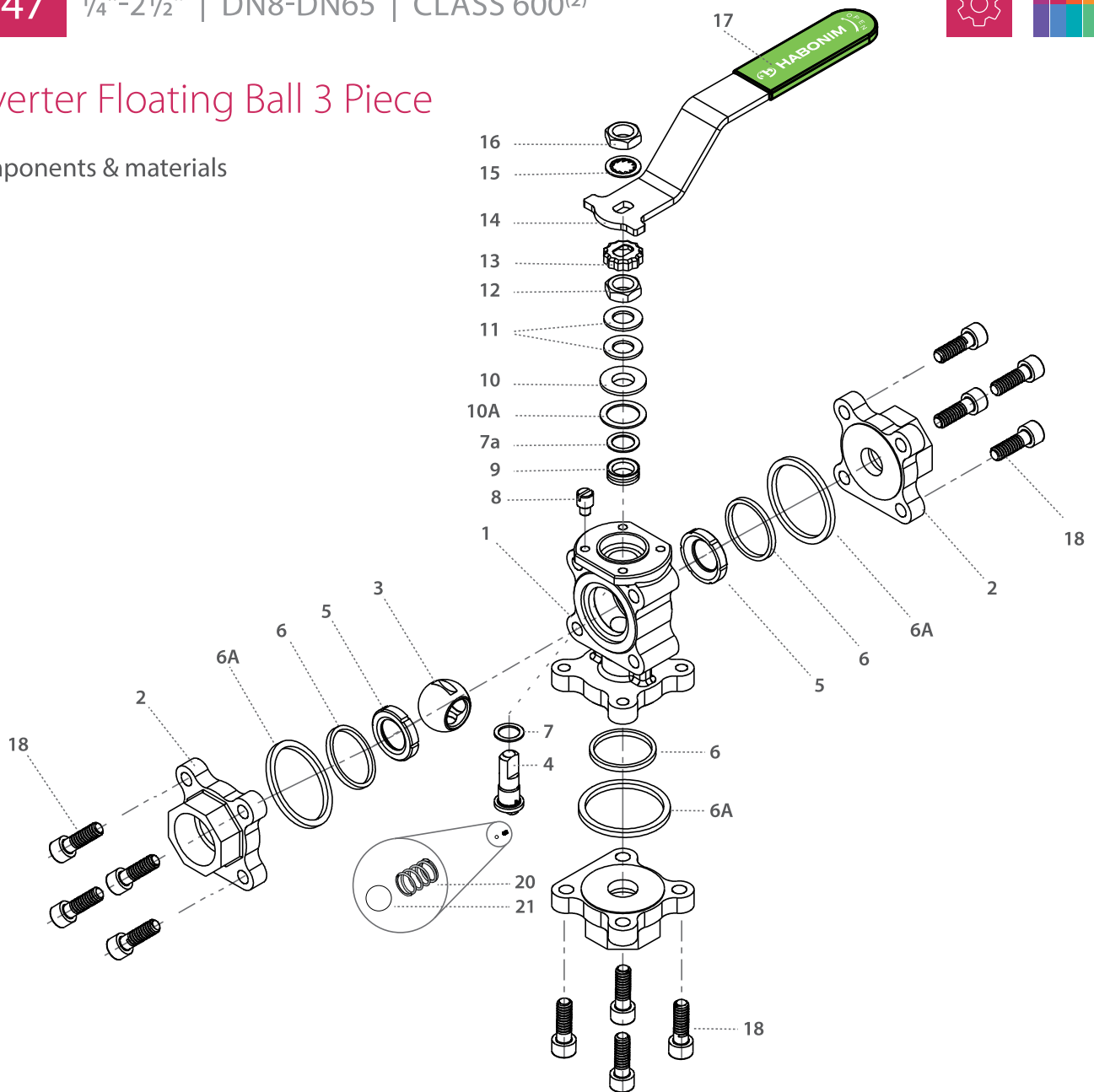


Std. port	Full port	Unit	Ball port1	Ball port2	A	B	C	D	H	K	S	W	M	N	P	F	TxL	Weight kg/lb	Kv Cv
	DN8	mm	10.50	9.50	66.00	20.60	29.00	37.90	61.50	88.20	150.00	47.00	5.54	3/8 UNF	6.65 (F03)	36.00	M5X10	1.00	2.4
	1/4"	inch	0.41	0.37	2.60	0.81	1.14	1.49	2.42	3.48	5.91	1.85	0.22		0.26	1.42		2.20	2.8
DN15	DN10	mm	10.50	9.50	66.00	20.60	29.00	37.90	61.50	88.20	150.00	47.00	5.54	3/8 UNF	6.65 (F03)	36.00	M5X10	1.00	2.8
	1/2"	3/8"	inch	0.41	0.37	2.60	0.81	1.14	1.49	2.42	3.48	5.91	1.85		0.22	0.26		1.42	2.20
DN20	DN15	mm	14.30	11.90	70.60	24.50	31.40	40.30	63.90	93.70	150.00	53.70	5.54	3/8 UNF	6.65 (F03)	36.00	M5X10	1.20	4
	3/4"	1/2"	inch	0.56	0.47	2.78	0.97	1.24	1.59	2.52	3.68	2.11	0.22		0.26	1.42		2.64	5
DN25	DN20	mm	20.60	15.90	93.70	31.70	38.10	55.60	79.40	119.00	187.00	63.70	7.54	7/16 UNF	7.40 (F04)	42.00	M5X10	2.40	8
	1"	3/4"	inch	0.81	0.63	3.69	1.25	1.50	2.19	3.13	4.68	2.51	0.30		0.29	1.65		5.29	9
DN32	DN25	mm	25.40	20.50	108.00	41.30	42.70	60.20	84.10	130.15	187.00	71.70	7.54	7/16 UNF	7.40 (F04)	42.00	M5X10	4.00	16
	1 1/4"	1"	inch	1.00	0.81	4.25	1.62	1.68	2.37	3.31	5.13	2.82	0.30		0.29	1.65		8.82	19
DN40	DN32	mm	31.80	26.60	115.50	48.40	43.60	73.00	97.00	139.05	237.00	86.70	8.71	3/8 UNF	8.50 (F05)	50.00	M6X12	5.50	40
	1 1/2"	1 1/4"	inch	1.25	1.05	4.55	1.91	1.72	2.87	3.82	5.47	3.41	0.34		0.33	1.97		12.12	46
DN50	DN40	mm	38.10	35.00	128.00	56.30	48.30	77.80	101.80	149.45	237.00	96.90	8.71	3/8 UNF	8.50 (F05)	50.00	M6X12	6.90	42
	2"	1 1/2"	inch	1.50	1.38	5.04	2.22	1.90	3.06	4.01	5.88	3.82	0.34		0.33	1.97		15.21	49
DN65	DN50	mm	50.80	48.00	158.00	72.60	70.00	88.10	115.10	175.40	237.00	108.00	8.71	3/8 UNF	13.50 (F07)	70.00	M8X12	14.45	96
	2 1/2"	2"	inch	2.00	1.89	6.22	2.86	2.76	4.53	6.90	9.33	4.25	0.34		0.53	2.76		31.85	111



Diverter Floating Ball 3 Piece

Components & materials



Item	Description	Material specification	Qty.
1	Body	Acc. Ordering Code	1
2	Ends	Acc. Ordering Code	3
3	Ball	Acc. Ordering Code	1
4	Stem	Acc. Ordering Code	1
5*	Seat	Acc. Ordering Code	2
6*	Body seal	Acc. Ordering Code	3
6A*	Outer seal	Acc. Ordering Code	3
7*	Stem thrust seal	PEEK, CF PEEK, PCTFE	1
7a**	Anti-abrasion ring	PEEK, CF PEEK, PCTFE	1
8	Stop pin	S. Steel	1
9*	Stem seal	CF PTFE, TFM	1
10	Follower	S. Steel	1

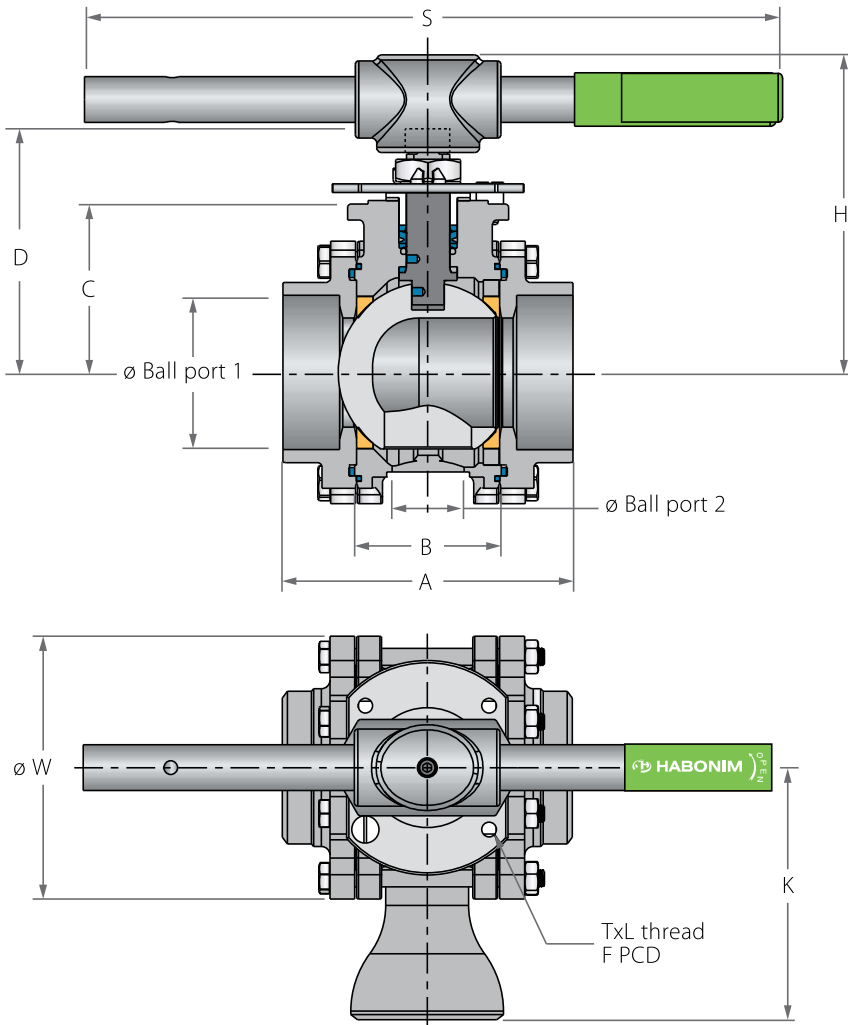
⁽¹⁾ 2 1/2" (DN65) size maximum pressure rating is Class 400.

Item	Description	Material specification	Qty.
10A	Slide bearing	S. Steel	1
11	Disc spring	S. Steel	2
12	Stem nut	S. Steel	1
13	Locking clip	S. Steel	1
14	Handle	S. Steel	1
15	Serrated washer	S. Steel	1
16	Handle nut	S. Steel	1
17	Sleeve	PVC	1
18	Body bolt	S. Steel	12
20	Anti-static spring	S. Steel	1
21	Anti-static plunger	S. Steel	1
23	Tag (not shown)	S. Steel	1

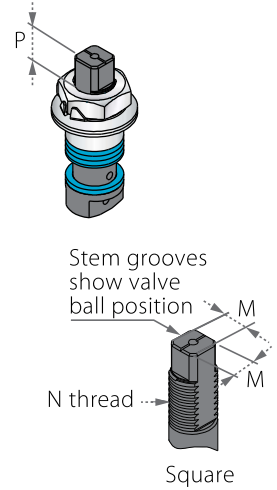
* Repair kit components

Diverter Floating Ball 3 Piece

Valve dimensions



Preparation for actuation

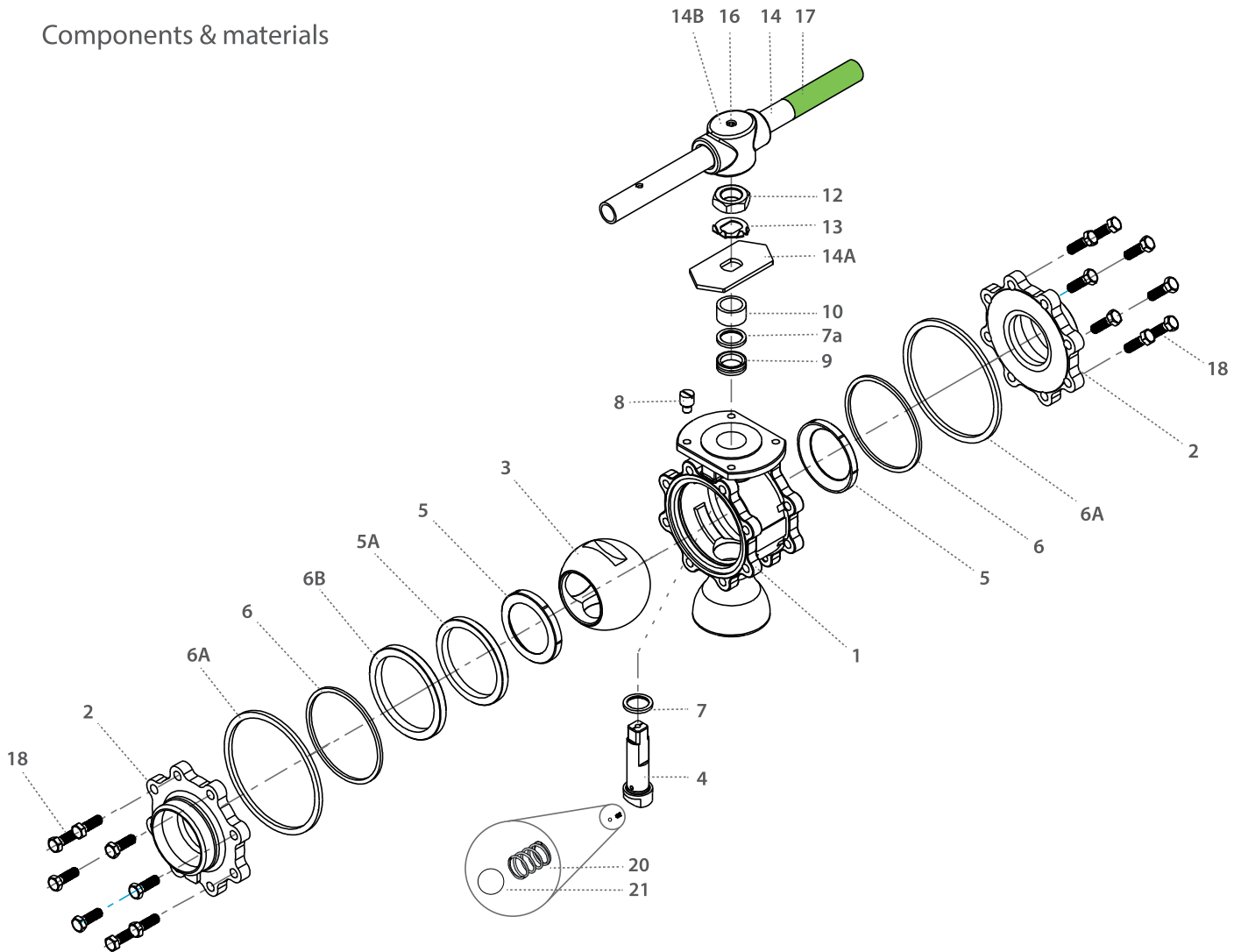


Std. port	Full port	Unit	Ball port 1	Ball port 2	A	B	C	D	H	K	S	W	M	N	P	F	TxL	Weight kg/lb	Kv Cv
DN80	DN65	mm	63.75	80.50	169	83.3	98.3	144.9	185	163	400	18.90	15.90	1"-14	16.70 (F10)	102.00	M10x20	18.00	129
3"	2½"	inch	2.51	3.17	6.65	3.28	3.87	5.70	7.28	6.42	15.75	0.74	0.63	UNS-2A	0.66	4.02		39.67	150
DN100	DN80	mm	80.00	63.25	214	108.8	114.1	160.7	200	183	600	18.90	15.90	1"-14	16.70 (F10)	102.00	M10x20	28.20	182
4"	3"	inch	3.15	2.49	8.43	4.28	4.49	6.33	7.87	7.20	23.62	0.74	0.63	UNS-2A	0.66	4.02		62.15	211
	DN100	mm	92.00	67.00	239	123	124	170.5	211	200	600	18.90	15.90	1"-14	16.70 (F10)	102.00	M10x20	36.00	334
	4"	inch	3.62	2.64	9.41	4.84	4.88	6.71	8.31	7.87	23.62	0.74	0.63	UNS-2A	0.66	4.02		79.34	388
DN150		mm	111.35	77.90	346	146	157	226	286	212	916	28.45	23.75	1½"-12	26.20 (F12)	125.00	M12x20	41.00	437
6"		inch	4.38	3.07	13.62	5.75	6.18	8.90	11.26	8.35	36.06	1.12	0.94	UNF-2A	1.03	4.92		90.36	507



Diverter Floating Ball 3 Piece

Components & materials



Item	Description	Material specification	Qty.
1	Body	Acc. Ordering Code	1
2	Plug	Acc. Ordering Code	1
3	Ball	Acc. Ordering Code	1
4	Stem	Acc. Ordering Code	1
5*	Seat	Acc. Ordering Code	2
6*	Body seal	Acc. Ordering Code	2
6A*	Outer seal	Acc. Ordering Code	2
6B	Support ring	S. Steel	1
7*	Stem thrust seal	PEEK, CF PEEK, PCTFE	1
7a	Anti-abrasion ring	PEEK, CF PEEK, PCTFE	1
8	Stop pin	S. Steel	1
9*	Stem seal	CF PTFE, TFM	1
10	Follower	S. Steel	1

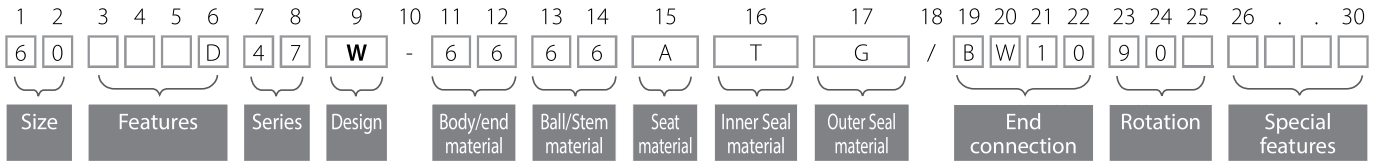
Item	Description	Material specification	Qty.
11	Disc spring	S. Steel	2
12	Stem nut	S. Steel	1
13	Tab lock washer	S. Steel	1
14	Handle	S. Steel	1
14A	Stop plate	S. Steel	1
14B	Wrench head	S. Steel	1
16	Wrench bolt	S. Steel	1
17	Sleeve	PVC	1
18	Body bolt	S. Steel	16
20	Anti-static spring	S. Steel	2
21	Anti-static plunger	S. Steel	2
23	Tag (not shown)	S. Steel	1

* Repair kit components



Diverter | Side Entry 3 Piece - Ordering Code System

"Mandatory option" options are marked with **green background** | "Standard offer" options are marked with **light green background**



Size (1-2)		
Code	inch	mm
02	¼"	8
03	⅜"	10
05	½"	15
07	¾"	20
10	1"	25
12	1¼"	32
15	1½"	40
20	2"	50
25	2½"	65
30	3"	80
40	4"	100
60	6"	150
80	8"	200

Features (3-6)	
D	Diverter bottom entry
B	Full port
O	Clean assembly for O2 service
K	Chlorine service
F	Shell only - fire safe
H	Hydrogen service

Series (7-8)	
D47	3 piece bottom entry
S47	3 piece side entry

Design (9)	
W	Total HermetiX Integrity package

Body/Ends material (11-12)	
6	S. SteelCF8M/CF3M
1	Bronze
4	C. steel A216 WCB/A105
9	C. steel A352 LCB
7	Monel
A	Alloy-20 A351 CN7M
W	Alloy-C22 B574
D	Duplex A479
K	Super Duplex A479
S	254SMO A479

Ball material (13)	
6	S. SteelCF8M/CF3M
W	Hasteloy-C22
S	254SMO
D	Duplex
1	Bronze
K	Super Duplex
7	Monel
A	Alloy-20
C	Hasteloy-C276

Stem material (14)	
6	S. Steel316L
M	High Strength S. Steel
Z	Inconel 718 B637
W	Alloy-C22 B574
S	254SMO A479
A	Alloy-20 A351 CN7M
D	Duplex A479
K	Super Duplex A479
7	Monel
C	Hasteloy-C276

Seat material (15)	
A	TFM(3)
U	UHMWPE
T	PTFE(3)
P	CF PTFE(3)
C	PCTFE
K	CF PEEK
L	Virgin Peek
Y	Delrin
W	PVDF

Inner Seal Material (16)	
T	PTFE
A	TFM
U	UHMWPE
V	Viton
B	NBR
G	Expanded graphite

Outer Seal Material (17)	
G	Expanded graphite
T	PTFE
A	TFM
U	UHMWPE
V	Viton
B	NBR

End Connection (19-22)	
Welded ends	
BW10	Buttweld schd. 10
BW	Buttweld schd. 40
SW	Socket weld
XBW10	Extended buttweld schd. 10
XBW	Extended buttweld schd. 40
XSW	Extended socket weld
BW5	Buttweld schd. 5
BW80	Buttweld schd. 80
BWO	Buttweld tube OD
BWD	Buttweld DIN 11850
BWI	buttweld ISO
SWO	Socket weld tube OD
ETO	Extended tube OD
ETI	Extended buttweld ISO
ETD	Extended buttweld DIN

Threaded	
NPT	ASME B1.20.1 - National Pipe Taper thread
BSPT	EN 10226 - Pipe Taper thread
BSPP	ISO228-1, DIN3852 - Pipe Parallel thread
DIN3852	DIN3852 - Pipe Parallel thread
AS5202	SAE internal straight thread
MNPT	Male NPT
MBSPT	Male BSPT

Flanged	
150	ASME B16.5 #150 RF
300	ASME B16.5 #300 RF
600	ASME B16.5 #600 RF
900	ASME B16.5 #900 RF
PN16	EN1092 PN16 RF
PN40	EN1092 PN40 RF
PN63	EN1092 PN63 RF
PN100	EN1092 PN100 RF
PN160	EN1092 PN160 RF

Clamp	
LL	Compression fitting (Imperial) - No Nuts & Ferrules
LM	Compression fitting (metric) - No Nuts & Ferrules
LL-NF	Compression fitting (Imperial) - with Nuts & Ferrules
LM-NF	Compression fitting (metric) - with Nuts & Ferrules
TC	Tri-Clamp
GR	Grayloc® compatible hub (Grayloc® is a registered trademark of Grayloc Products, L.L.C.)

Rotation (23 -25)	
90	90 degrees rotation
180	180 degrees rotation applicable for bottom entry diverter valve L

Special Features (24-30)	
B	Body made from rolled bar
EP	Electropolished
WR	DD stem
G...	Internal surface finish (G24, G32)

Valve Special Stem Seals	
AAX	FDA compliant stem seal. TFM thrust bearing and X shape gasket
PPX	CF PTFE thrust and X shape gasket
CAX	PCTFE thrust and TFM X shape gasket
CPX	PCTFE thrust and CF PTFE X shape gasket
HC	High Cycle service