

C73

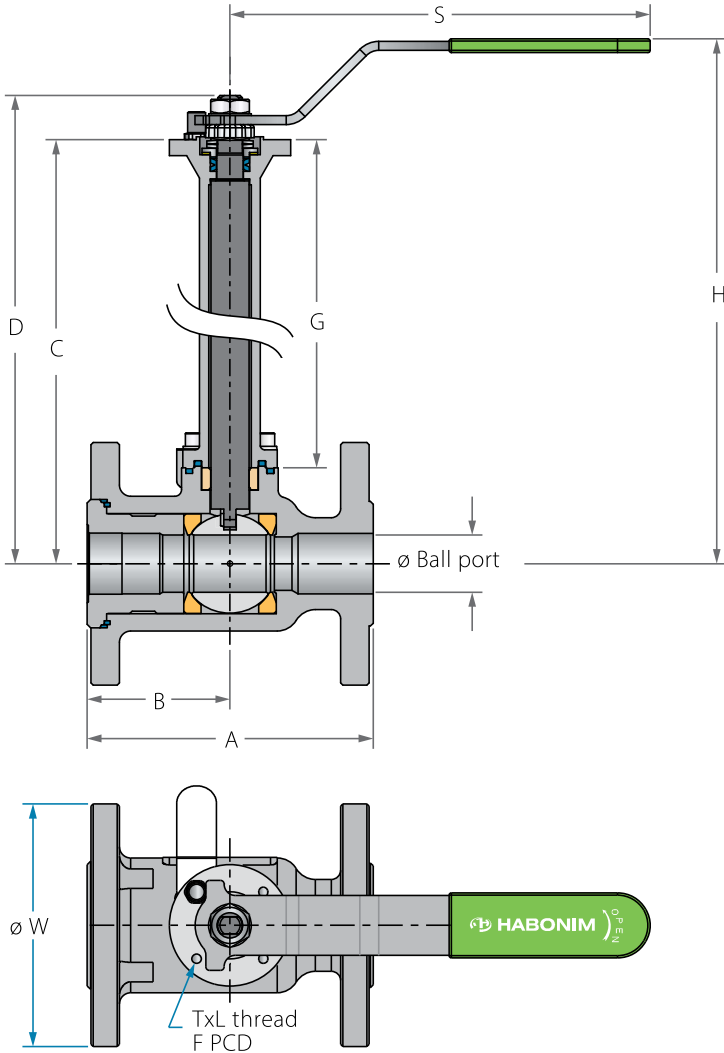
C74

C78

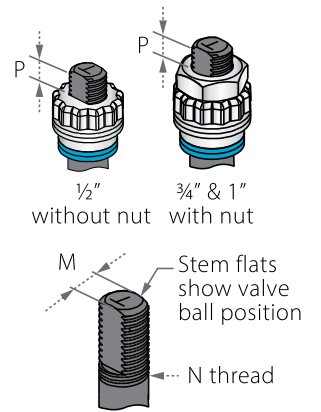
1/2"-1" | DN15-DN25  
CLASS 150/300/PN 40

# Cryogenic Flanged Full Port Floating Ball

## Valve dimensions



## Preparation for actuation

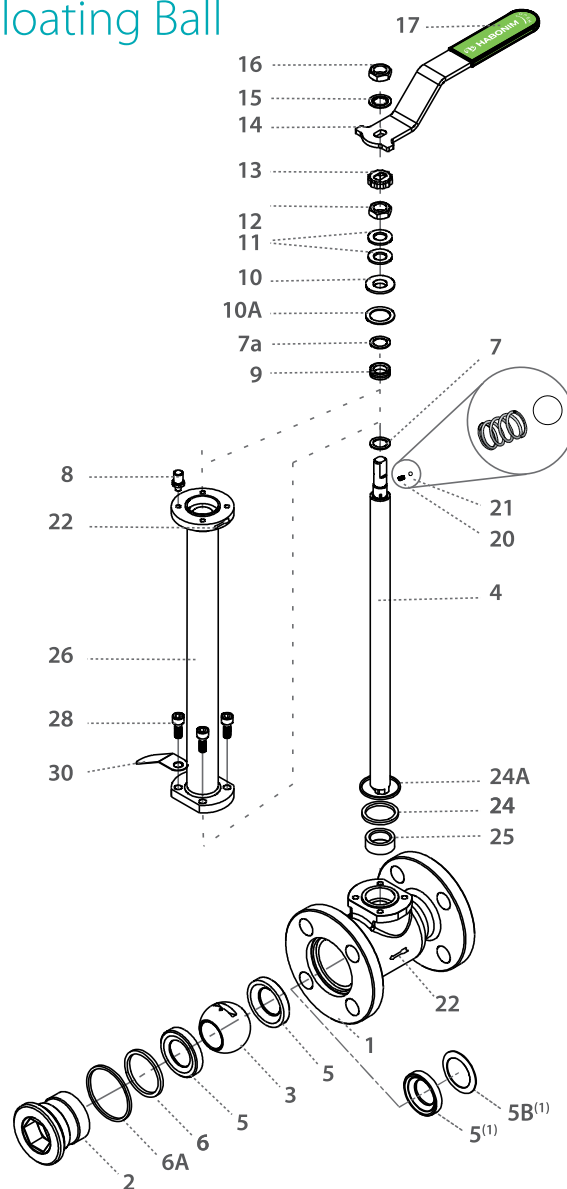


Full Port	Unit	Ball port	A_73		A_74		A_78		B	Standard design				6.0" bonnet				S	W	M	N	P	F	TxL	Weight		Kv
			F1	F4	C	D	G	H		C	D	G	H	Std.	6.0"	Cv											
DN15	mm	14.3	108.2	140	130	115	48.2	335.4	344.3	304	400	183.8	192.7	152.4	248.4	150	89	5.5	3/8" UNF	7.2	(F03)	36	M5X7	2.6	2.28	26	
1/2"	inch	0.56	4.26	5.51	5.12	4.53	1.9	13.2	13.56	11.97	15.75	7.24	7.59	6	9.78	5.91	3.5	0.22	0.28	1.42	M5X7	5.73	5.03	30			
DN20	mm	20.6	117	153	150	120	59	342.15	359.65	304	406.8	190.55	208.05	152.4	255.2	187	98	7.54	7/16" UNF	7.2	(F04)	42	M5X7	3.8	3.45	43	
3/4"	inch	0.81	4.61	6.02	5.91	4.72	2.32	13.47	14.16	11.97	16.02	7.5	8.19	6	10.05	7.36	3.86	0.3	0.28	1.65	M5X7	8.38	7.60	50			
DN25	mm	25.4	127	165	160	125	64	346.65	364.15	304	411.3	195.05	212.55	152.4	259.7	187	108	7.54	7/16" UNF	7.2	(F04)	42	M5X7	4.6	4.25	85	
1"	inch	1	5	6.5	6.3	4.92	2.52	13.65	14.34	11.97	16.19	7.68	8.37	6	10.22	7.36	4.25	0.3	0.28	1.65	M5X7	10.14	9.37	105			



## Cryogenic Flanged Full Port Floating Ball

### Components & materials



Item	Description	Material specifications	Qty.
1	Body	Acc. Ordering Code	1
2	Plug	Acc. Ordering Code	1
3	Ball	Acc. Ordering Code	1
4	Stem	Acc. Ordering Code	1
5*	Seat	Acc. Ordering Code	2
5B	Upstream seat spring	Inconel 718	1
6*	Inner seal	TFM	1
6A*	Outer seal	Acc. Ordering Code	1
7*	Stem thrust seal	PCTFE	1
7a*	Anti-abrasion ring	PCTFE	1
8	Stop pin	S. Steel	1
9*	Stem seal	TFM	1
10	Follower	S. Steel	1
10A	Slide bearing	S. Steel	1
11	Disc spring	S. Steel	2
12	Stem nut	S. Steel	1
13	Locking clip	S. Steel	1

Item	Description	Material specifications	Qty.
14	Handle	S. Steel	1
15	Serrated washer	S. Steel	1
16	Handle nut	S. Steel	1
17	Sleeve	PVC	1
20	Anti-static spring	S. Steel	1
21	Anti-static plunger	S. Steel	1
22	Arrow flow	S. Steel	2
23	Tag (not shown)	S. Steel	1
24*	Bonnet inner seal	TFM	1
24A*	Bonnet outer seal	Acc. Ordering Code	1
25*	Stem bearing	PTFE	1
26	Bonnet	S. Steel	1
28	Bolt	S. Steel	4
30	Dog tag	S. Steel	1

\* Repair kit components

<sup>(1)</sup> Optional Dynamic seat design

C73

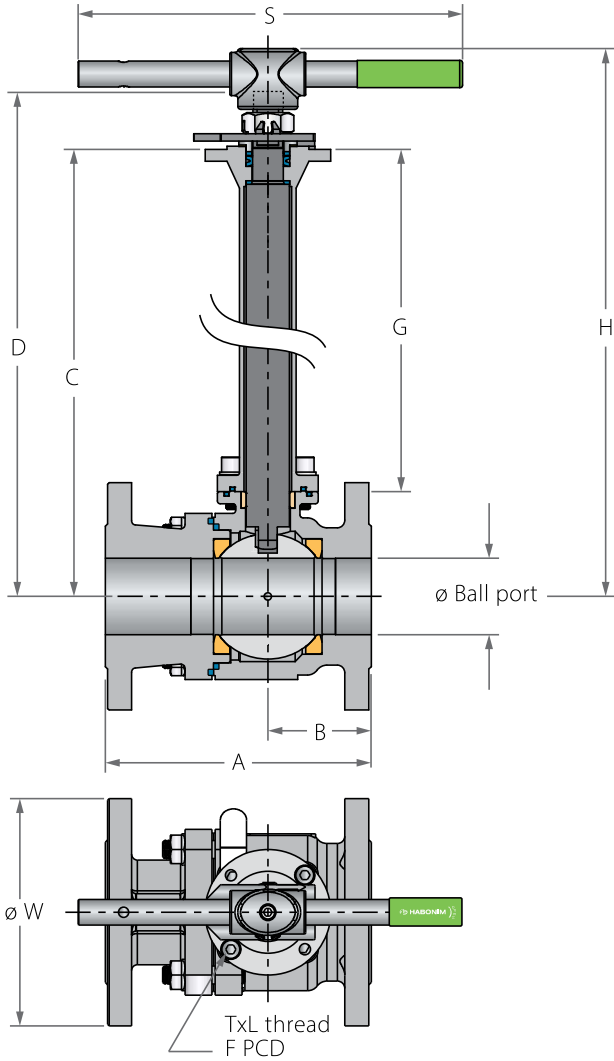
C74

C78

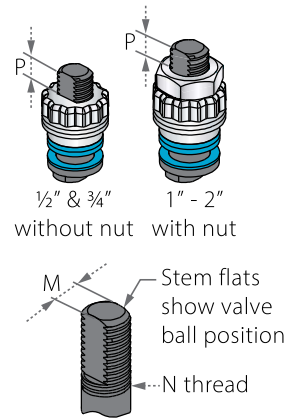
1½"-2" | DN40-DN50  
CLASS 150/300/PN 40

# Cryogenic Flanged Full Port Floating Ball

## Valve dimensions



## Preparation for actuation



Full Port	Unit	Ball port	A_73		A_74		A_78		B	Standard design				6.0" bonnet				S	W	M	N	P	F	TxL	Weight		Kv
			F1	F4	C	D	G	H		C	D	G	H	Std.	6.0"	Cv											
DN40	mm	38.1	165	190.5	200	-	68	352.3	381.8	304	406.6	200.65	230.15	152.4	255	237	127	8.71	¾" UNF	8.5 (F05)	50	M6X8	8.5	7.93	214		
1½"	inch	1.5	6.5	7.5	7.87	-	2.68	13.87	15	11.97	16.01	7.9	9.06	6	10.04	9.33	5	0.34		0.33	1.97		18.73	17.48	250		
DN50	mm	51	178	216	230	150	69	397.5	439.1	327.5	430.35	222.4	264	152.4	255.25	400	152	13.9	M20x2.5	13.5 (F07)	70	M8X8	16	14.5	410		
2"	inch	2.01	7.01	8.5	9.06	5.91	2.72	15.65	17.29	12.89	16.94	8.76	10.39	6	10.05	15.75	5.98	0.55		0.53	2.76		35.2	31.9	480		

C73

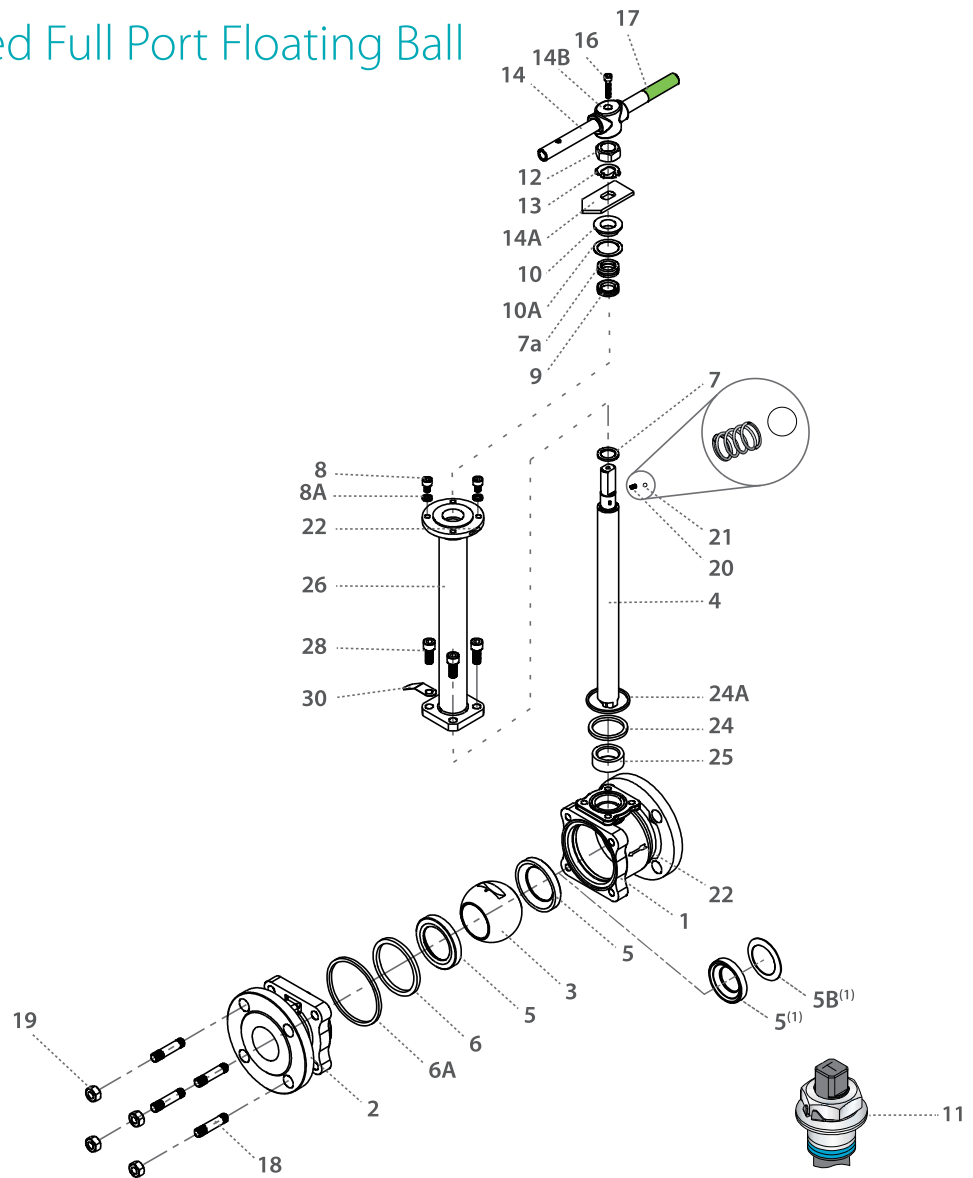
C74

C78

1½"-2" | DN40-DN50  
CLASS 150/300/PN 40

## Cryogenic Flanged Full Port Floating Ball

### Components & materials



Item	Description	Material specifications	Qty.
1	Body	Acc. Ordering Code	1
2	End	Acc. Ordering Code	1
3	Ball	Acc. Ordering Code	1
4	Stem	Acc. Ordering Code	1
5*	Seat	Acc. Ordering Code	2
5B	Upstream seat spring	Inconel 718	1
6*	Inner seal	TFM	1
6A*	Outer seal	Acc. Ordering Code	1
7*	Stem thrust seal	PCTFE	1
7a*	Anti-abrasion ring	PCTFE	1
8	Stop bolt	S. Steel	2
8A	Spring washer	S. Steel	2
9*	Stem seal	TFM, Graphite	1
10	Follower	S. Steel	1
10A	Slide bearing	S. Steel	1
11	Disc spring	S. Steel	2
12	Stem nut	S. Steel	1
13	Tab lock washer	S. Steel	1
14	Handle	S. Steel	1

Item	Description	Material specifications	Qty.
14A	Stop plate	S. Steel	1
14B	Wrench head	S. Steel	1
16	Wrench bolt	S. Steel	1
17	Sleeve	PVC	1
18	Body bolt	S. Steel	4
19	Body Nut	EN3506-2 A4-80, A194 8M	4
20	Anti-static spring	S. Steel	1
21	Anti-static plunger	S. Steel	1
22	Arrow flow	S. Steel	2
23	Tag (not shown)	S. Steel	1
24*	Bonnet inner seal	TFM	1
24A*	Bonnet outer seal	Acc. Ordering Code	1
25*	Stem bearing	PTFE	1
26	Bonnet	S. Steel	1
28	Bolt	S. Steel	4
30	Dog tag	S. Steel	1

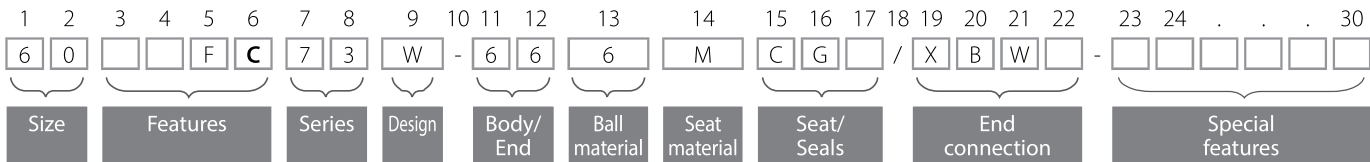
\* Repair kit components

<sup>(1)</sup> Optional Dynamic seat design



# Cryogenic Flanged Full Port Floating Ball - Ordering Code System

"Mandatory option" options are marked with **green background** | "Standard offer" options are marked with **light green background**



Size (1-2)		
Code	inch	mm
05	½"	15
07	¾"	20
10	1"	25
12*	1¼"	32
15	1½"	40
20	2"	50
25*	2½"	65
30	3"	80
40	4"	100
60	6"	150
80	8"	200

\* only for series 73/78

Features (3-6)	
C	Cryogenic
F	Fire safe
N	Control service
Series (7-8)	
C31	ANSI #150 std. port
C32	ANSI #300 std. port
C73	ANSI #150 full port
C74	ANSI #300 full port
C77	DIN PN 16 full port
C78	DIN PN 40 full port
Design (9)	
W	Total HermetiX Integrity package
Body material (11)	
6	CF8M
1	Bronze
7	Monel
End material (12)	
6	CF8M
1	Bronze
7	Monel

Ball material (13)	
6	S. St.
1	Bronze
7	Monel
Stem material (14)	
M	High Strength S. Steel
6	S. St. A351
Z	Inconel
Seat material (15)	
A	TFM
C	PCTFE
P	CF PTFE
Inner Seal Material (16)	
A	TFM
G	Expanded graphite
Outer Seal Material (17)	
G	Expanded graphite
A	TFM

End connections (19-22)	
Welding	
150(2)*	ASME B16.5 #150 RF
300(2)**	ASME B16.5 #300 RF
PN16(2)***	EN1092 PN16 RF
PN40(2)****	EN1092 PN40 RF
* C31, 73 series	
** C32, C74 series	
*** C77 series	
**** C78 series	
Special Features (24-30)	
SPR	Spring loaded seat, valve 21/2" Full port and up
SPR	Spring loaded seat, up to 2½" std. port
6.0	Short bonnet
B	Body made from rolled bar
FF	Flat face
F1	F1 - DIN 3202-1 RF face-to-face size
F4	F4 - DIN 3202-1 RF face-to-face size
F5	F5 - DIN 3202-1 RF face-to-face size
Vxx	V port (xx = angle)
VBxx	Characterized control ball