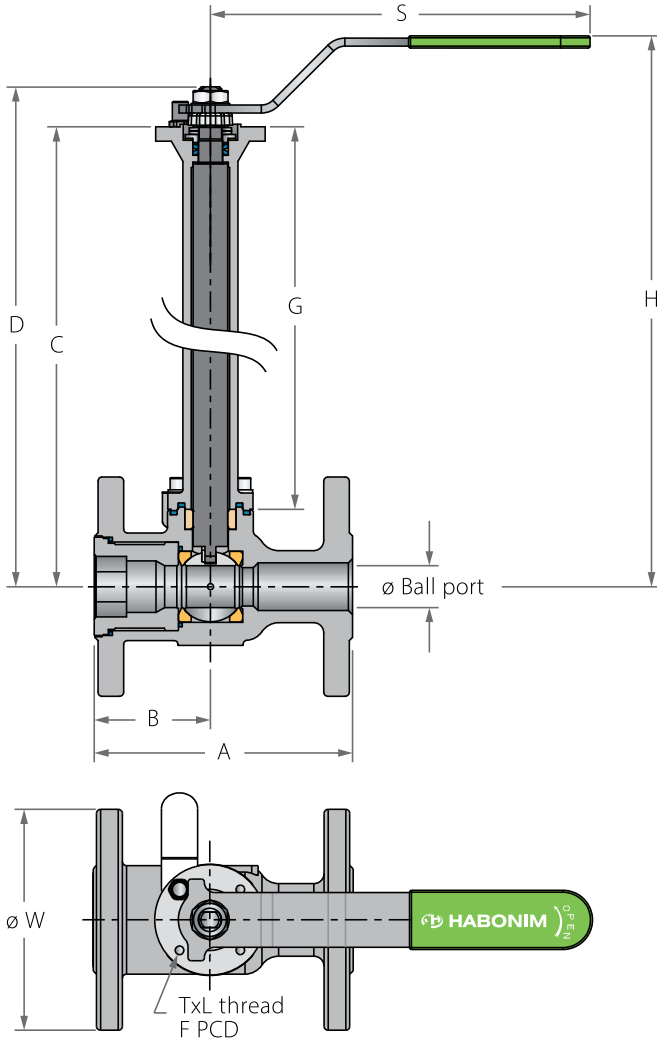
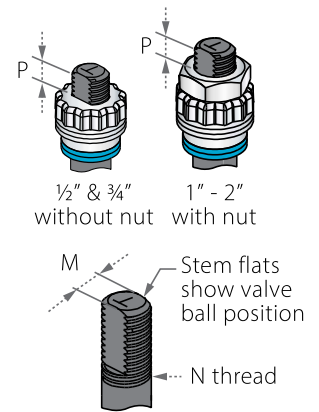


# Cryogenic Flanged Reduced Port Floating Ball

## Valve dimensions



## Preparation for actuation

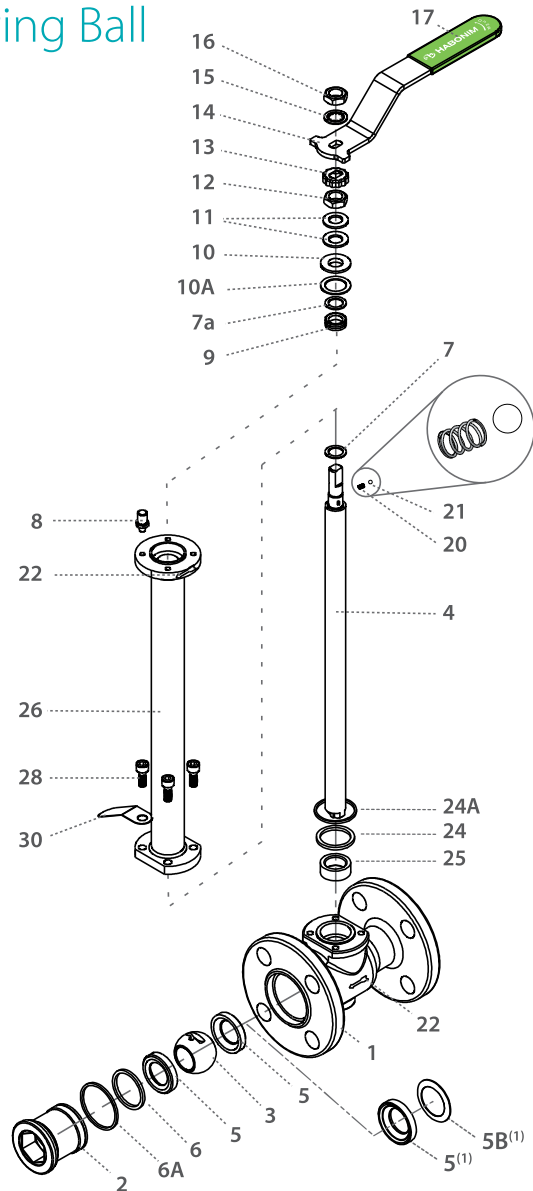


Std. port	Unit	Ball port	A_31	A_32	B	Standard design				6.0" bonnet				S	W	M	N	P	F	TxL	Weight kg/lb			Kv
						C	D	G	H	C	D	G	H								Std.	6.0"	Cv	
DN15	mm	11.15	108	140	46	333	341.9	304	367	181.4	190.3	152.4	215.4	150	89	5.5	3/8" UNF	7.2	(F03)	36	M5X7	2.4	2.1	7
1/2"	inch	0.44	4.25	5.51	1.81	13.11	13.46	11.97	14.45	7.14	7.49	6	8.48	5.91	3.5	0.22	3/8" UNF	0.28		1.42	M5X7	5.3	4.6	8
DN20	mm	14.30	117	152.4	49.35	335.4	344.3	304	369.4	183.8	192.7	152.4	217.8	150	98	5.5	3/8" UNF	7.2	(F03)	36	M5X7	3	2.7	10
3/4"	inch	0.56	4.61	6	1.94	13.2	13.56	11.97	14.54	7.24	7.59	6	8.57	5.91	3.86	0.22	3/8" UNF	0.28		1.42	M5X7	6.6	5.9	12
DN25	mm	20.60	127	165	57	342.15	359.65	304	387	190.55	208.05	152.4	235.4	187	108	7.54	7/16" UNF	7.2	(F04)	42	M5X7	4.2	3.85	27
1"	inch	0.81	5	6.5	2.24	13.47	14.16	11.97	15.24	7.5	8.19	6	9.27	7.36	4.25	0.3	7/16" UNF	0.28		1.65	M5X7	9.3	8.5	32
DN40	mm	31.80	165	190.5	62.4	347.55	377.05	304	404	195.95	225.45	152.4	252.4	237	127	8.71	9/16" UNF	8	(F05)	50	M6X8	7	6.43	70
1 1/2"	inch	1.25	6.5	7.5	2.46	13.68	14.84	11.97	15.91	7.71	8.88	6	9.94	9.33	5	0.34	9/16" UNF	0.31		1.97	M6X8	15.4	14.2	82
DN50	mm	38.10	178	216	68	352.25	381.75	304	406	200.65	230.15	152.4	254.4	237	152	8.71	9/16" UNF	8.5	(F05)	50	M6X8	9.1	8.53	103
2"	inch	1.50	7.01	8.5	2.68	13.87	15.03	11.97	15.98	7.9	9.06	6	10.02	9.33	5.98	0.34	9/16" UNF	0.33		1.97	M6X8	20.1	18.8	120



# Cryogenic Flanged Reduced Port Floating Ball

## Components & materials



Item	Description	Material specifications	Qty.
1	Body	Acc. Ordering Code	1
2	Plug	Acc. Ordering Code	1
3	Ball	Acc. Ordering Code	1
4	Stem	Acc. Ordering Code	1
5*	Seat	Acc. Ordering Code	2
5B	Upstream seat spring	Inconel 718	1
6*	Inner seal	TFM	1
6A*	Outer seal	Acc. Ordering Code	1
7*	Stem thrust seal	PCTFE	1
7a*	Anti-abrasion ring	PCTFE	1
8	Stop pin	S. Steel	1
9*	Stem seal	TFM	1
10	Follower	S. Steel	1
10A	Slide bearing	S. Steel	1
11	Disc spring	S. Steel	2
12	Stem nut	S. Steel	1
13	Locking clip	S. Steel	1

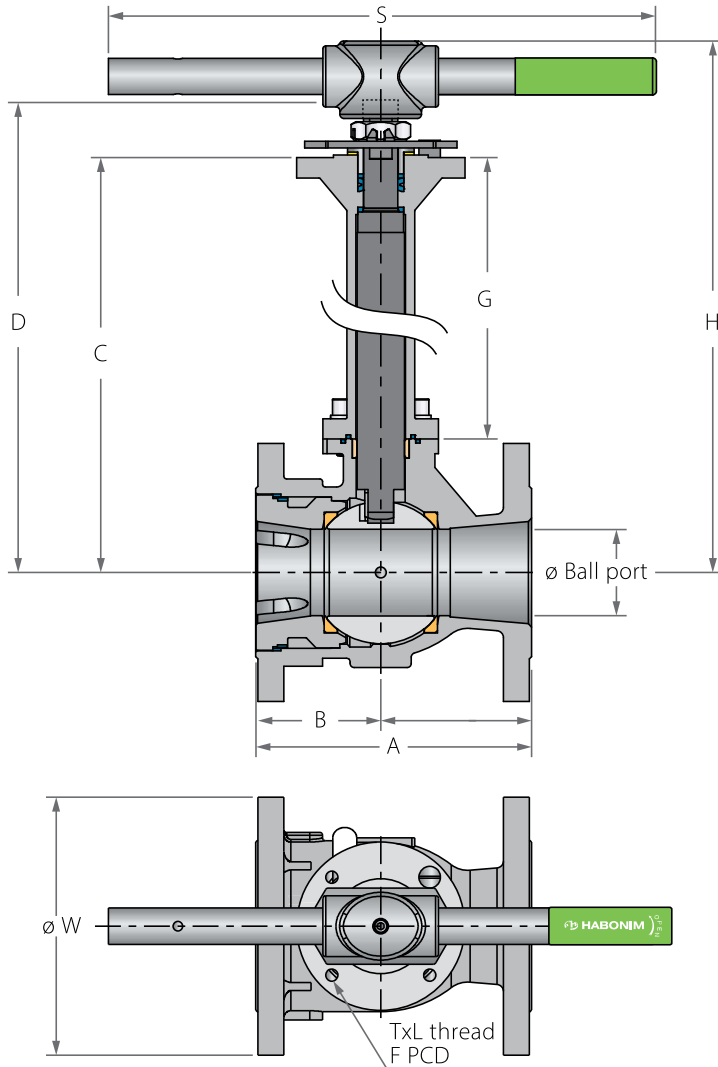
Item	Description	Material specifications	Qty.
14	Handle	S. Steel	1
15	Serrated washer	S. Steel	1
16	Handle nut	S. Steel	1
17	Sleeve	PVC	1
20	Anti-static spring	S. Steel	1
21	Anti-static plunger	S. Steel	1
22	Arrow flow	S. Steel	2
23	Tag (not shown)	S. Steel	1
24*	Bonnet inner seal	TFM	1
24A*	Bonnet outer seal	Acc. Ordering Code	1
25*	Stem bearing	PTFE	1
26	Bonnet	S. Steel	1
28	Bolt	S. Steel	4
30	Dog tag	S. Steel	1

\* Repair kit components

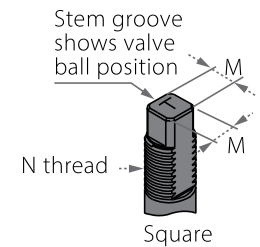
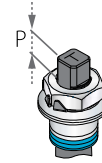
<sup>(1)</sup> Optional Dynamic seat design

# Cryogenic Flanged Reduced Port Floating Ball

## Valve dimensions



## Preparation for actuation

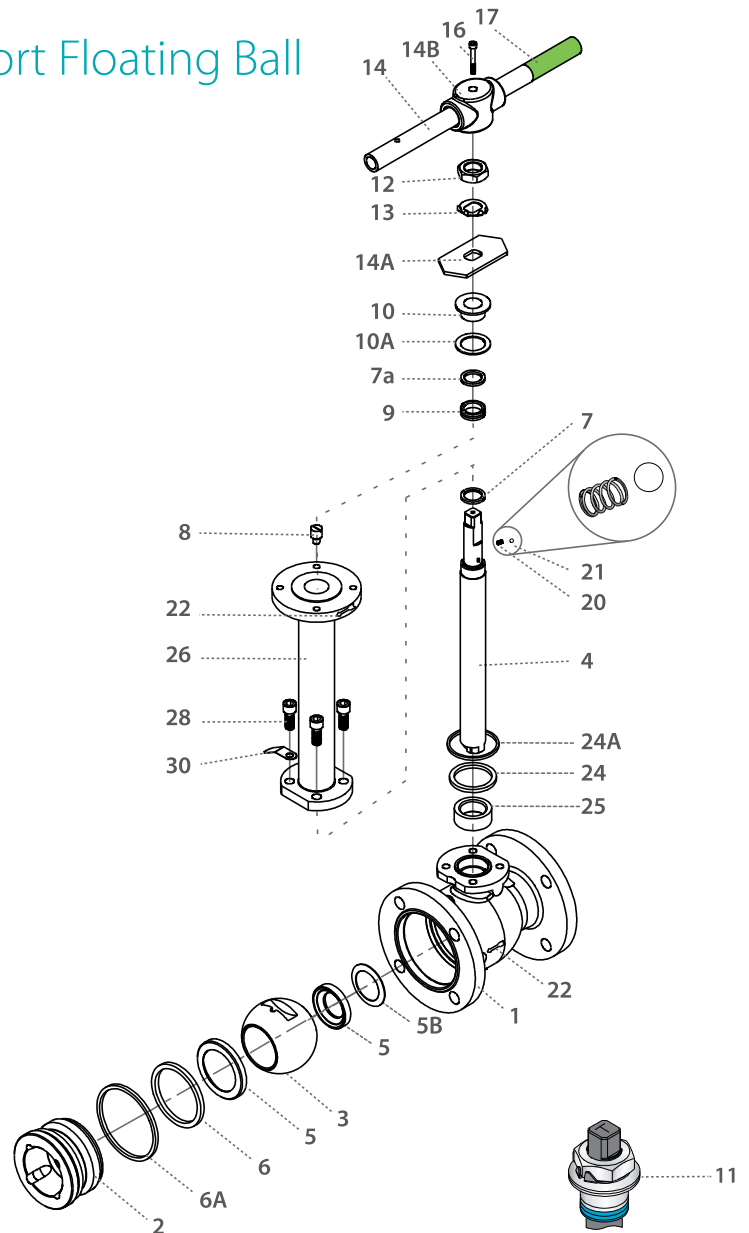


Std. port	Unit	Ball port	A_31	A_32	B	Standard design				6.0" bonnet				S	W	M	MDD	N	P	F	TxL	Weight kg/lb		Kv
						C	D	G	H	C	D	G	H									Std.	6.0"	
DN80	mm	63.8	203.2	282	92.1	463.3	509.9	343.5	550.5	272.2	318.8	152.4	359.4	610	210	18.92	15.9	1"-14	16.7 (F10)	102	M10X15	29	27.8	385
3"	inch	2.51	8	11.1	3.63	18.24	20.07	13.52	21.67	10.72	12.55	6	14.15	24.02	8.27	0.74	0.63	UNS-2A	0.66	4.02	M10X15	63.9	61.3	450
DN100	mm	82.8	228.6	304.8	101.6	457.6	504.2	343.5	543.4	266.5	313.1	152.4	352.3	610	254	18.92	15.9	1"-14	16.7 (F10)	102	M10X15	44.6	43.4	615
4"	inch	3.26	9	12	4	18.02	19.85	13.52	21.39	10.49	12.33	6	13.87	24.02	10	0.74	0.63	UNS-2A	0.66	4.02	M10X15	98.3	95.7	720
DN150	mm	111.3	266.8	403.2	107.8	561	630.5	385	-	328.4	397.9	152.4	-	-	318	28.45	23.75	1½"-12	26.2 (F12)	125	M12X15	92	89	872
6"	inch	4.38	10.5	15.87	4.24	22.09	24.82	15.16	-	12.93	15.67	6	-	-	12.52	1.12	0.94	UNS-2A	1.03	4.92	M12X15	202.4	195.8	1020
DN200	mm	144.4	292.1	419.1	142.25	570.1	639.6	385	-	337.5	407	152.4	-	-	381	28.45	23.75	1½"-12	26.2 (F12)	125	M12X15	118.6	114.5	1607
8"	inch	5.69	11.5	16.5	5.6	22.44	25.18	15.16	-	13.29	16.02	6	-	-	15	1.12	0.94	UNS-2A	1.03	4.92	M12X15	261.4	252.4	1880



## Cryogenic Flanged Reduced Port Floating Ball

### Components & materials



Item	Description	Material specifications	Qty.
1	Body	Acc. Ordering Code	1
2	Plug	Acc. Ordering Code	1
3	Ball	A351 CF8M, B574 N06022, Bronze RG5	1
4	Stem	Acc. Ordering Code	1
5*	Seat	Acc. Ordering Code	2
5B	Upstream seat spring	Inconel 718	1
6*	Inner seal	TFM	1
6A*	Outer seal	Acc. Ordering Code	1
7*	Stem thrust seal	PCTFE	1
7a*	Anti-abrasion ring	PCTFE	1
8	Stop pin	S. Steel	1
9*	Stem seal	TFM	1
10	Follower	S. Steel	1
10A	Slide bearing	S. Steel	1
11	Disc spring	S. Steel	2
12	Stem nut	S. Steel	1
13	Tab lock washer	S. Steel	1
14**	Handle	S. Steel	1

Item	Description	Material specifications	Qty.
14A	Stop plate	S. Steel	1
14B	Wrench head	S. Steel	1
16	Wrench bolt	S. Steel	1
17	Sleeve	PVC	1
20	Anti-static spring	S. Steel	2
21	Anti-static plunger	S. Steel	2
22	Arrow flow	S. Steel	2
23	Tag (not shown)	S. Steel	1
24*	Bonnet seal	PTFE, Graphite	1
25*	Stem bearing	PTFE	1
26	Bonnet	S. Steel	1
28	Bolt	S. Steel	4
30	Dog tag	S. Steel	1

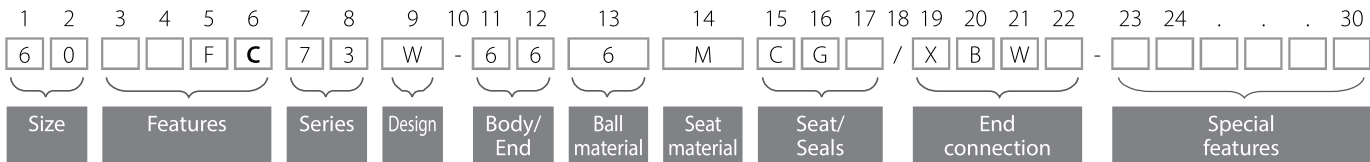
\* Repair kit components

\*\* Gear operator should be used for size 6" DN150 and above (handle components are not included)



# Cryogenic Flanged Full Port Floating Ball - Ordering Code System

"Mandatory option" options are marked with **green background** | "Standard offer" options are marked with **light green background**



Size (1-2)		
Code	inch	mm
05	1/2"	15
07	3/4"	20
10	1"	25
12*	1 1/4"	32
15	1 1/2"	40
20	2"	50
25*	2 1/2"	65
30	3"	80
40	4"	100
60	6"	150
80	8"	200

\* only for series 73/78

Features (3-6)	
C	Cryogenic
F	Fire safe
N	Control service
Series (7-8)	
C31	ANSI #150 std. port
C32	ANSI #300 std. port
C73	ANSI #150 full port
C74	ANSI #300 full port
C77	DIN PN 16 full port
C78	DIN PN 40 full port
Design (9)	
W	Total HermetiX Integrity package
Body material (11)	
6	CF8M
1	Bronze
7	Monel
End material (12)	
6	CF8M
1	Bronze
7	Monel

Ball material (13)	
6	S. St.
1	Bronze
7	Monel
Stem material (14)	
M	High Strength S. Steel
6	S. St. A351
Z	Inconel
Seat material (15)	
A	TFM
C	PCTFE
P	CF PTFE
Inner Seal Material (16)	
A	TFM
G	Expanded graphite
Outer Seal Material (17)	
G	Expanded graphite
A	TFM

End connections (19-22)	
Welding	
150(2)*	ASME B16.5 #150 RF
300(2)**	ASME B16.5 #300 RF
PN16(2)***	EN1092 PN16 RF
PN40(2)****	EN1092 PN40 RF
* C31, 73 series	
** C32, C74 series	
*** C77 series	
**** C78 series	
Special Features (24-30)	
SPR	Spring loaded seat, valve 21/2" Full port and up
SPR	Spring loaded seat, up to 2 1/2" std. port
6.0	Short bonnet
B	Body made from rolled bar
FF	Flat face
F1	F1 - DIN 3202-1 RF face-to-face size
F4	F4 - DIN 3202-1 RF face-to-face size
F5	F5 - DIN 3202-1 RF face-to-face size
Vxx	V port (xx = angle)
VBxx	Characterized control ball