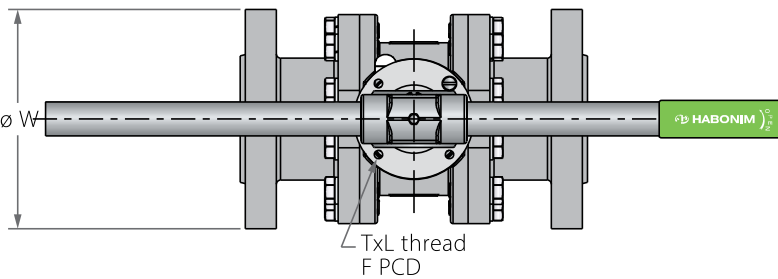
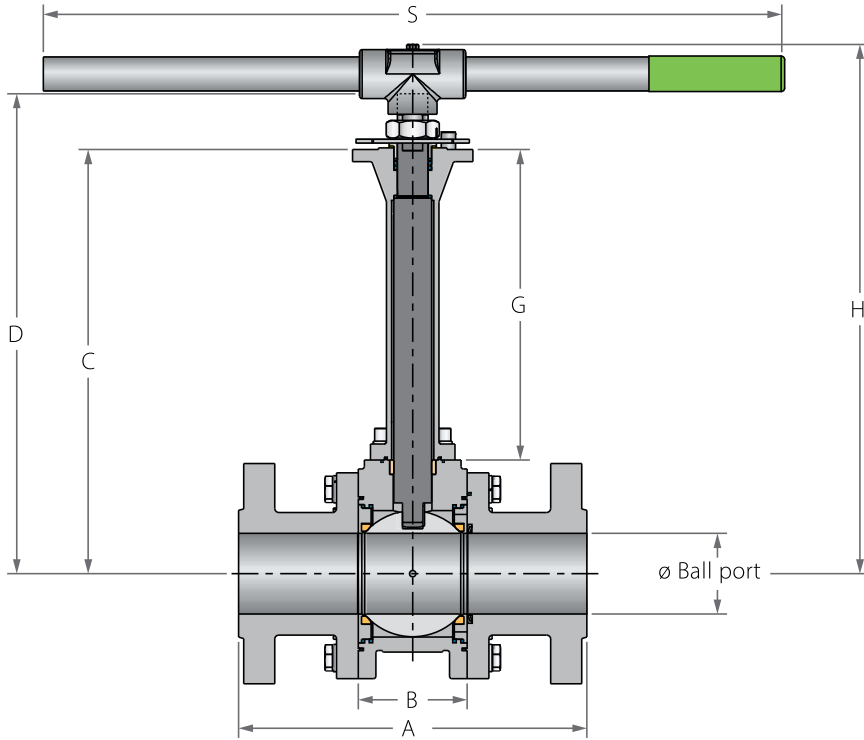
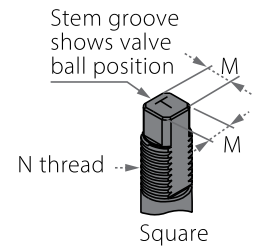
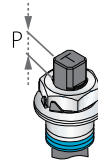


## Cryogenic Floating Ball 3 Piece

### Valve dimensions



### Preparation for actuation

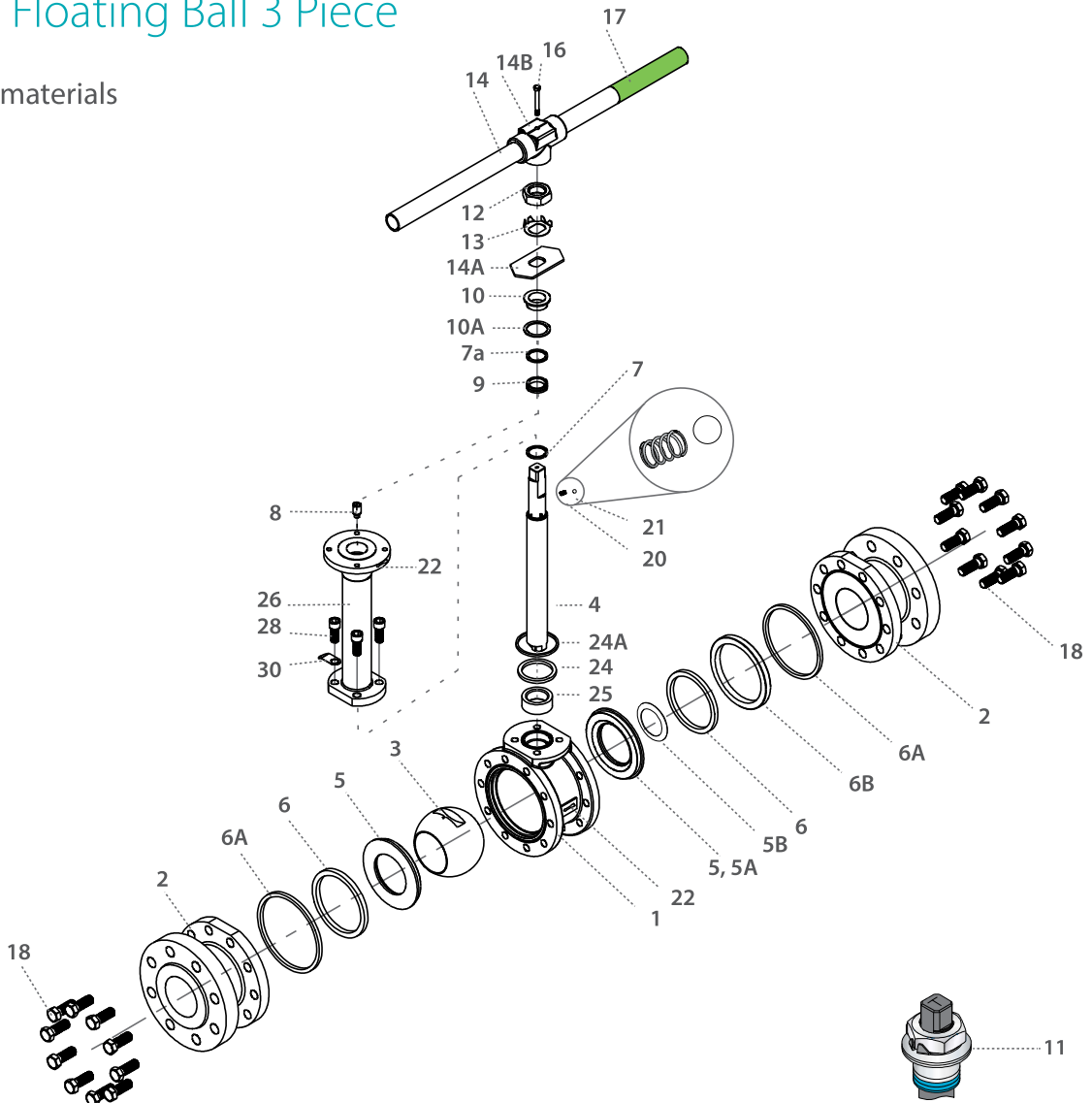


Full Port	Unit	Ball port	A		B	Standard design				6.0" bonnet				S	W	M	MDD	N	P	F	TxL	Weight Kg/lb (Welded)		Kv	
			Welded	#600		C	D	G	H	C	D	G	H									Std.	6.0"		
																									Cv
DN50	mm	51.05	200	292	75	432.5	479.1	345	431	239.9	286.5	152.4	238.4	401	165	18.9	15.9	1" - 14	16.7	(F10)	102	M10X15	25	22	421
2"	inch	2.01	7.87	11.5	2.95	17.03	18.86	13.58	16.97	9.44	11.28	6	9.39	15.79	6.5	0.74	0.63	UNS-2A	0.66		4.02			55	48
DN80	mm	80	356	356	110	511.5	580.6	385	632	278.9	348	152.4	399.4	916	210	28.45	23.75	1-1/2"	26.2	(F12)	125	M12X15	50	45	983
3"	inch	3.15	14.02	14.02	4.33	20.14	22.86	15.16	24.88	10.98	13.7	6	15.72	36.06	8.27	1.12	0.94	UNF-2A	1.03		4.92			110	99
DN100	mm	100	400	432	135	527.3	596.4	385	646.5	294.7	363.8	152.4	413.9	916	275	28.45	23.75	1-1/2"	26.2	(F12)	125	M12X15	75	70	1807
4"	inch	3.94	15.75	17.01	5.31	20.76	23.48	15.16	25.45	11.6	14.32	6	16.3	36.06	10.83	1.12	0.94	UNF-2A	1.03		4.92			165	154
DN150	mm	150	490	559	190	579	691.65	385	-	346.4	459.05	152.4	-	-	355	35.92	35.92	2"	40	(F14)	140	M16X20	155	140	4310
6"	inch	5.91	19.29	22.01	7.48	22.8	27.23	15.16	-	13.64	18.07	6	-	-	13.98	1.41	1.41	UN-2A	1.57		5.51			341	308
DN200	mm	200	500	660	275	630	785	385	-	397.4	510.05	152.4	-	-	420	45.9	45.9	2-3/4"	50	(F16)	165	M20X30	400	380	7970
8"	inch	7.87	19.69	25.98	10.83	24.8	30.9	15.16	-	15.65	20.08	6	-	-	16.54	1.81	1.81	UN-2A	1.97		6.5			880	836



# Cryogenic Floating Ball 3 Piece

## Components & materials



Item	Description	Material specifications	Qty.
1	Body	Acc. Ordering Code	1
2	End	Acc. Ordering Code	2
3	Ball	Acc. Ordering Code	1
4	Stem	Acc. Ordering Code	1
5*	Seat	Acc. Ordering Code	2
5A	Seat housing	S. Steel	2
5B	Upstream seat spring	Inconel 718	1
6*	Inner seal	TFM	2
6A*	Outer seal	Acc. Ordering Code	2
6B	Support ring	S. Steel	1
7*	Stem thrust seal	PCTFE	1
7a*	Anti-abrasion ring	PCTFE	1
8	Stop pin	S. Steel	1
9*	Stem seal	TFM	1
10	Follower	S. Steel	1
10A	Slide bearing	S. Steel	1
11	Disc spring	S. Steel	2
12	Stem nut	S. Steel	1

Item	Description	Material specifications	Qty.
13	Tab lock washer	S. Steel	1
14**	Handle	S. Steel	1
14A	Stop plate	S. Steel	1
14B	Wrench head	S. Steel	1
16	Wrench bolt	S. Steel	1
17	Sleeve	PVC	1
18	Body bolt	S. Steel	20-32
20	Anti-static spring	S. Steel	2
21	Anti-static plunger	S. Steel	2
22	Arrow flow	S. Steel	2
23	Tag (not shown)	S. Steel	1
24*	Bonnet inner seal	TFM	1
24A*	Bonnet outer seal	Acc. Ordering Code	1
25*	Stem bearing	PTFE	1
26	Bonnet	S. Steel	1
28	Bolt	S. Steel	4
30	Dog tag	S. Steel	1

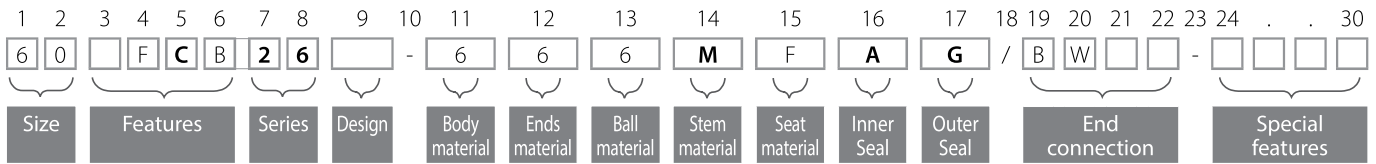
\* Repair kit components

\*\* Gear operator should be used for size 6" DN150 and above (handle components are not included)



# Cryogenic Floating Ball 3 Piece - Ordering Code System

"Mandatory option" options are marked with **green background** | "Standard offer" options are marked with **light green background**



Size (1-2)		
Code	inch	mm
20	2"	50
30	3"	80
40	4"	100
60	6"	150
80	8"	200
Features (3-6)		
C	Cryogenic design	
N	Control	

Series (7-8)	
26	3 Piece Floating
Body material (11)	
6	S. Steel
1	Bronze
End material (12)	
6	S. Steel
1	Bronze
Ball material (13)	
6	S. Steel 316L
Stem material (14)	
M	High Strength S. Steel
Z	Inconel

Seat material (15)	
F	Hybrid Seat (info in special features)
Inner Seal Material (16)	
A	TFM
G	Expanded graphite
Outer Seal Material (17)	
G	Expanded graphite
A	TFM

End connections (19-22)	
Welded	
BW *	Buttweld schd. 40
BW10	Buttweld schd. 10
BW80	Buttweld schd. 80
SW	Socket weld
XBW10	Extended buttweld schd. 10
XBW	Extended buttweld schd. 40
XSW	Extended socket weld

\* Up to 4" only

Flanged	
150	ASME B16.5 #150 RF
300	ASME B16.5 #300 RF
600	ASME B16.5 #600 RF
PN16	EN1092 PN16 RF
PN40	EN1092 PN40 RF
PN63	EN1092 PN63 RF
PN100	EN1092 PN100 RF

Flanged RTJ	
600RTJ	ASME B16.5 #600 RTJ

Clamp	
GR	Grayloc® compatible hub (Grayloc® is a registered trademark of Grayloc Products, L.L.C.)

## Hybrid Seats (24-27)

Insert material	Upstream/Downstream	Insert Shape	Seal Type
A TFM	Hybrid seats on upstream and downstream, spring loaded	0 Scraper	5 Seal 1: TFM; Seal 2: Expanded graphite
P CF PTFE			6 Seal 1: TFM
C PCTFE			

Special Features (24-30)	
6.0	Short bonnet
Vxx	V port
VBxx	Characterized control ball