

Lockable Handle (LDN)

A simple way to allow valve lock in open or closed position using a padlock

A simple way to allow valve lock in open or closed position using a padlock

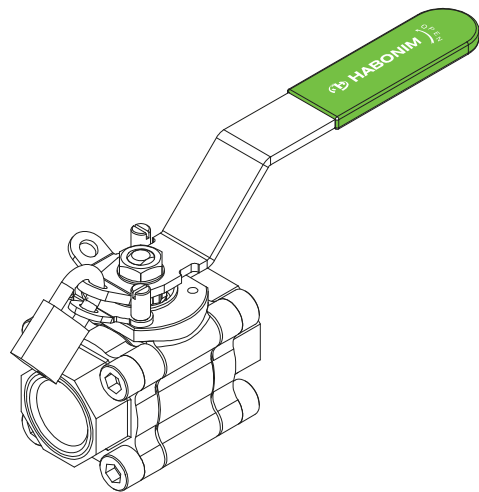
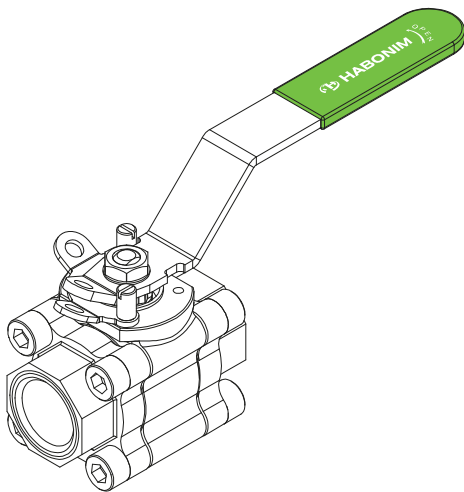
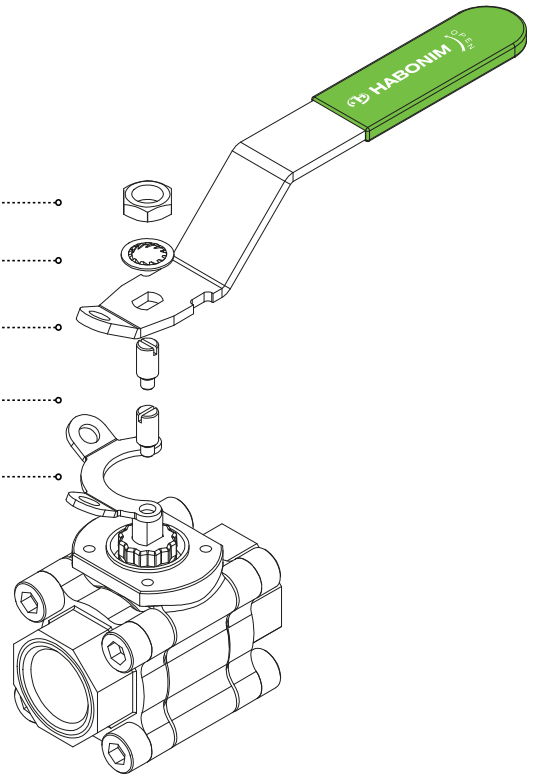
Handle nut

Serrated

LDN Handle

Stop pin

LDN piece



Ordering Code System

1	2	3	4	5	6	7	8	9	10	11	12	13	14	15	16	17	18	19	20	21	22	23	24	25	26	27	28	29	30
6	0				F	4	7	W	-	6	6	6	6	A	T	G	/	B	W			-	L	D	N				
Size		Features				Series		Design		Body material		Ends material		Ball/Stem material		Seat material	Inner Seal	Outer Seal	End Connection				Special features						

Special Features (24-30)	
LDN	Lockable handle