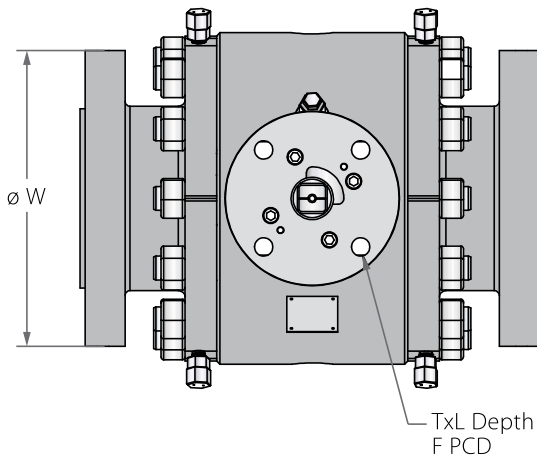
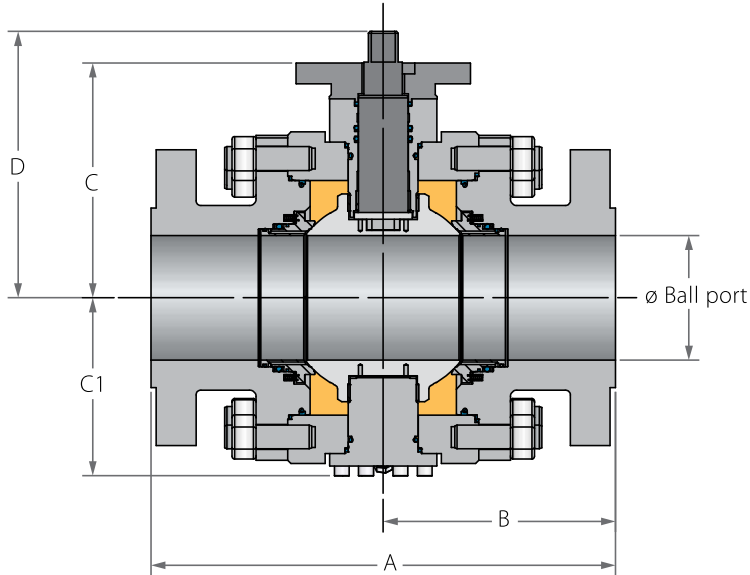
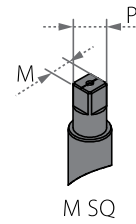


High Pressure Trunnion Mounted Ball 3 Piece

Valve dimensions



Preparation for actuation

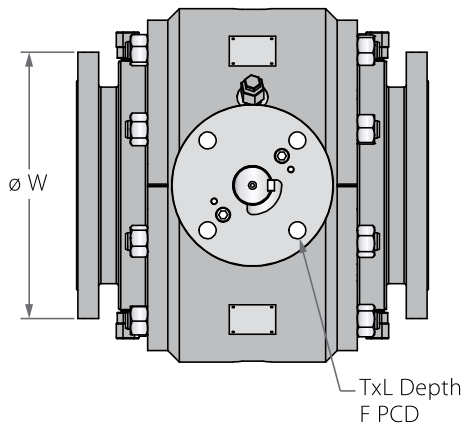
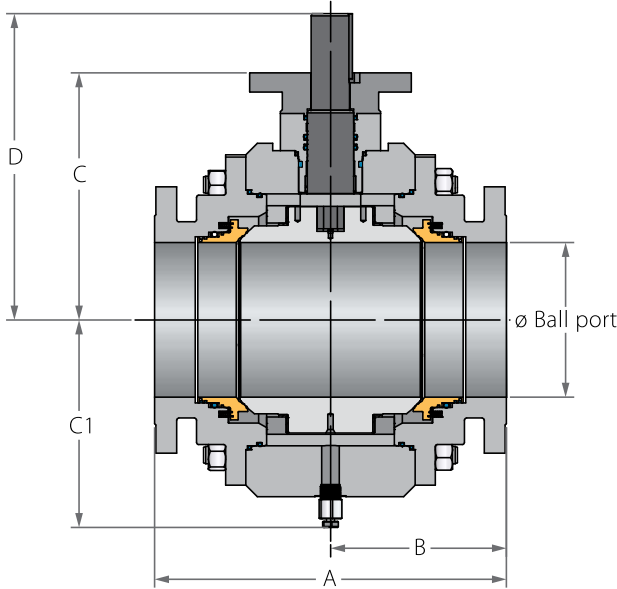


Std. port	Unit	Ball port	A		B		C	C1	D	W		Msq	Psq	F	TxL	Weight kg/lb		Kv / Cv		
			1500	2500	1500	2500				1500	2500					1500	2500	1500	2500	
DN50	mm	49.00	368.00	451.00	184.00	225.50	204.50	159.00	339.00	215.00	235.00	22.00	32.00	(F14)	140.00	18X12 (4 holes)	90	179	281	260
2"	inch	1.93	14.49	17.76	7.24	8.88	8.05	6.26	13.35	8.46	9.25	0.87	1.26		5.51		198	395	325	300
DN80	mm	74.00	470.00	578.00	235.00	289.00	262.00	201.50	342.50	265.00	305.00	27.00	35.00	F14	140.00	18x22 (4 holes)	175	340	735	649
3"	inch	2.91	18.50	22.76	9.25	11.38	10.31	7.93	13.48	10.43	12.01	1.06	1.38		5.51		386	750	850	750
DN100	mm	100.00	546.00	673.00	273.00	336.50	225.00	198.50	299.50	310.00	355.00	36.00	46.20	(F16)	165.00	22x25 (4 holes)	330	646	1384	1228
4"	inch	3.94	21.50	26.50	10.75	13.25	8.86	7.81	11.79	12.20	13.98	1.42	1.82		6.50		728	1424	1600	1420
DN150	mm	150.00	705.00	914.00	352.50	457.00	310.00	272.00	425.00	395.00	485.00	46.00	59.00	(F25)	254.00	22x30 (8 holes)	627	1227	3590	2206
6"	inch	5.91	27.76	35.98	13.88	17.99	12.20	10.71	16.73	15.55	19.09	1.81	2.32		10.00		1382	2705	4150	2550

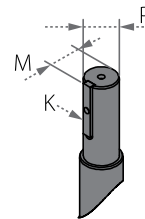


High Pressure Trunnion Mounted Ball 3 Piece

Valve dimensions



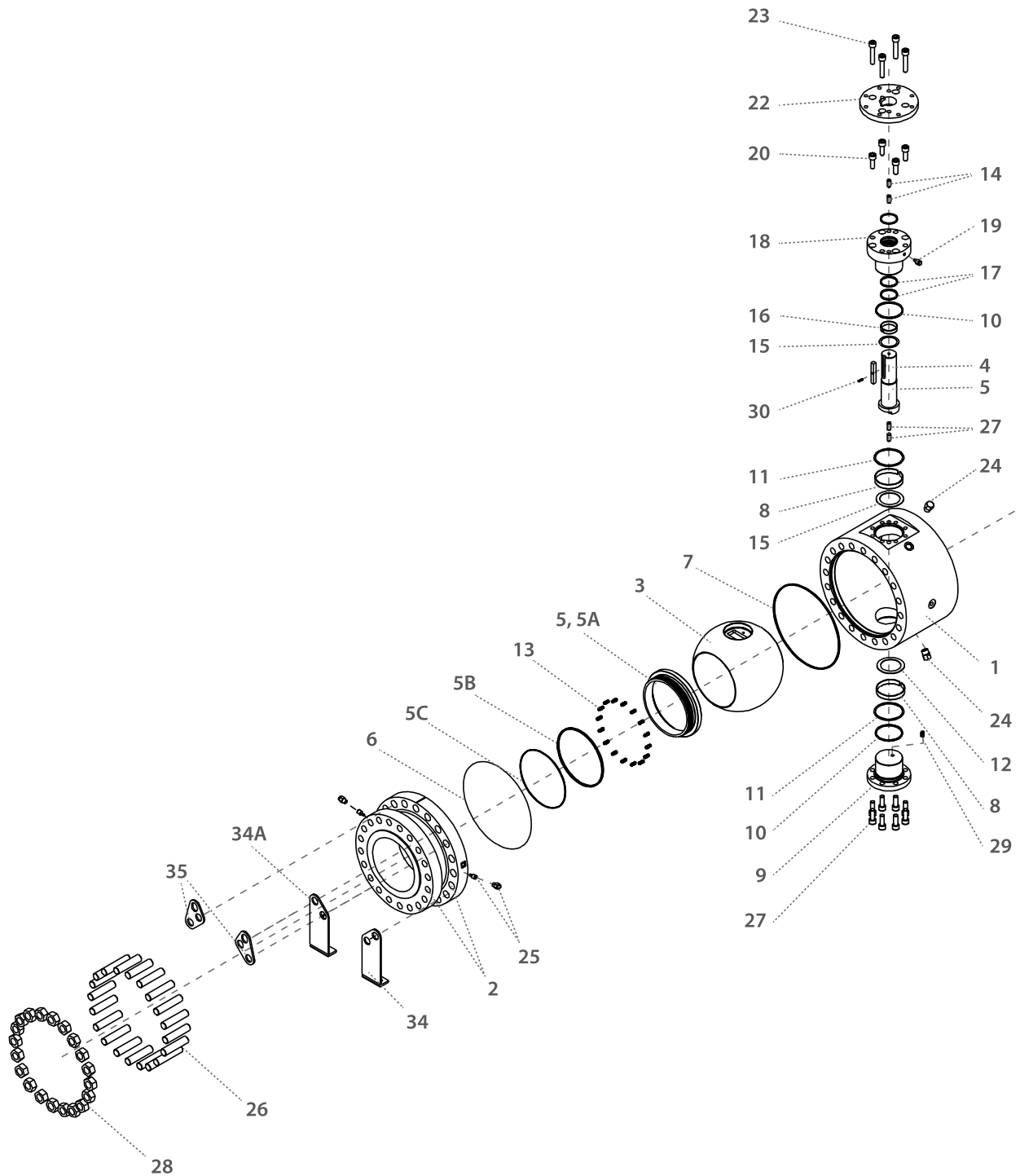
Preparation for actuation



Std. port	Unit	Ball port	A		B		C	C1	D	W		P	M	K	F	TxL	Weight kg/lb		Kv / Cv		
			1500	2500	1500	2500				1500	2500						1500	2500	1500	2500	
DN200	mm	201.00	832.00	1022.00	416.00	511.00	425.00	273.00	540.00	485.00	550.00	72.00	76.50	20.00	(F25)	254.00	18x25	1000	2330	6963	4758
8"	inch	7.91	32.76	40.24	16.38	20.12	16.73	10.75	21.26	19.09	21.65	2.83	3.01	0.79		10.00	(8 holes)	2205	5137	8050	5500
DN250	mm	252.00	991.00	1270.00	495.50	635.00	582.00	374.00	712.00	585.00	675.00	80.00	87.00	22.00	(F30)	298.00	22x30	1900	4427	11418	7526
10"	inch	9.92	39.02	50.00	19.51	25.00	22.91	14.72	28.03	23.03	26.57	3.15	3.43	0.87		11.73	(8 holes)	4189	9760	13200	8700
DN300	mm	303.00	1130.00	1422.00	565.00	711.00	797.00	512.00	927.00	675.00	760.00	80.00	87.00	22.00	(F30)	298.00	22x30	3610	8000	16868	10726
12"	inch	11.93	44.49	55.98	22.24	27.99	31.38	20.16	36.50	26.57	29.92	3.15	3.43	0.87		11.73	(8 holes)	7959	17637	19500	12400

High Pressure Trunnion Mounted Ball 3 Piece

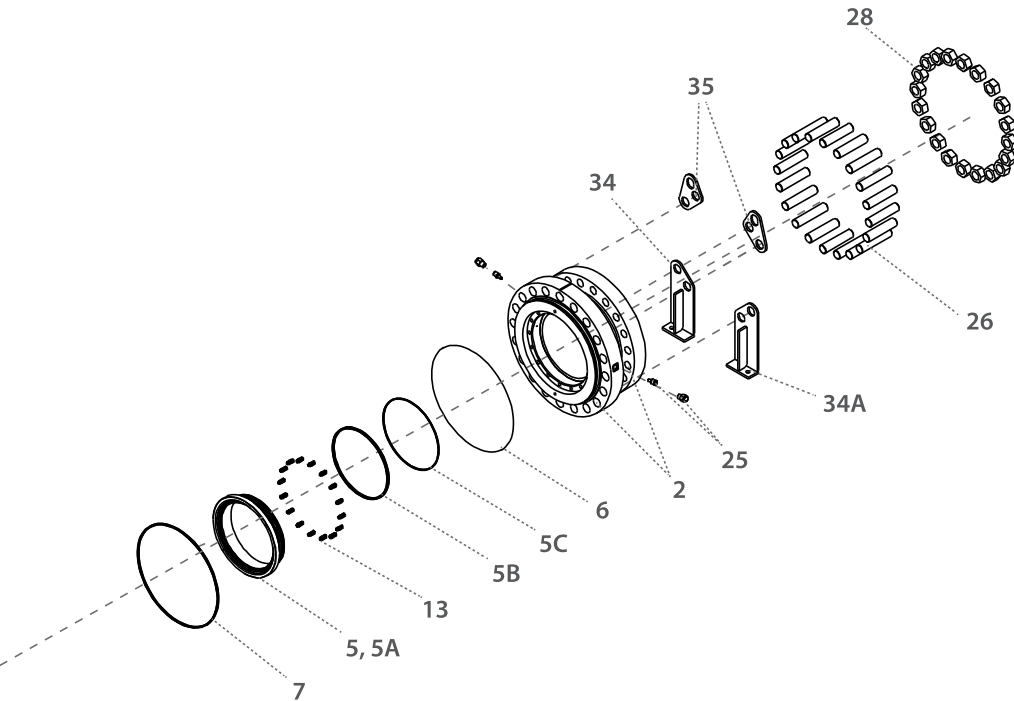
Components & materials





High Pressure Trunnion Mounted Ball 3 Piece

Components & materials



Item	Description	Material specification	Qty.
1	Body	Acc. Ordering Code	1
2	End	Acc. Ordering Code	2
3	Ball	Acc. Ordering Code	1
4	Stem	Acc. Ordering Code	1
5*	Seat	Acc. Ordering Code	2
5A	Seat insert	Acc. Ordering Code	2
5B	Seat seal	HNBR, VITON	2-4
5C	Seat fire safe seal	Graphite	2
6*	Body fire safe seal	Graphite	1
7*	Body seal	HNBR, VITON	1
8	Ball bearing	316L+PTFE	2
9	External trunnion	A350 LF2+ENP, A479 316L	1
10*	Gland plate & external trunnion fire safe seal	Graphite	2
11*	Gland plate & external trunnion seal	HNBR, VITON	2
12	Lower thrust washer	316L+PTFE	1
13	Seat spring	Inconel X750	10-26
14	Gland pin	C. Steel, S. Steel	4

Item	Description	Material specification	Qty.
15	Stem thrust seal	316L+PTFE	1
16	Gland plate bearing	316L+PTFE	1
17	Stem Seal	HNBR, VITON	2
18	Gland plate	A350 LF2+ENP, A479 316L, A105 +ENP	1
19	Stem grease fitting	S. Steel	1
20	Lower gland bolts	A320 L7, A193 B8M	2-6
21*	Stem gasket	Graphite	1
22	Iso plate	A350 LF2, A479 316L, A105	1
23	Upper gland bolts	A320 L7, A193 B8M	2-6
24	Plug drain valve	S. Steel	2
25**	Seat grease fitting + Check valve	S. Steel	4
26	Body stud	A320 L7, A193 B8M	4-20
27	External trunnion bolts	A320 L7, A193 B8M	4-12
28	Body nut	A194 GR-7, A193 GR-8M	4-20
29	Antistatic spring	Inconel X750	1
30	Stem key	H1150D 17-4PH	1

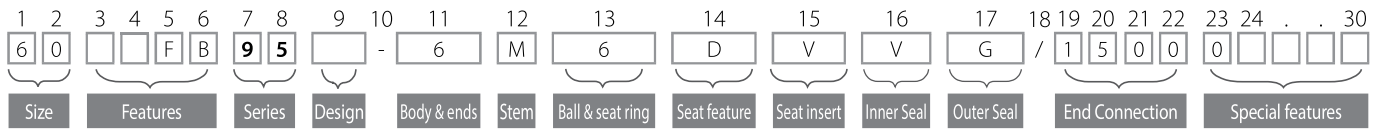
* Repair kit components

** Available from 6" size only



High Pressure Trunnion Mounted Ball Valve - Ordering Code System

"Mandatory option" options are marked with **green background** | "Standard offer" options are marked with **light green background**



Size (1-2)		
Code	inch	mm
20	2"	50
30	3"	75
40	4"	100
60	6"	150
80	8"	200
A0	10"	250
A2	12"	300

Features (3-6)	
F	Fire safe
B	Full port
H	Hydrogen Service

Series- 3 Piece (7-8)	
95	ASME B16.5 #1500
96	ASME B16.5 #2500

Design (9)	
	Empty (Stands For future designs)

Body & ends (11)	
4	C. Steel A105
6	S. Steel A479 316
F	C. Steel A350 LF2

Stem (12)	
M	17-4PH A564 Gr 630 H1150D
Z	Inconel 718 B637 N07718

Ball (13)	
4	C. Steel A105+ENP
6	S. Steel A182 F316
F	C. Steel A350 LF2+ENP
M	17-4PH A564 Gr 630 H1150D

Seat feature (14)	
D	Double Piston Effect (DPE) (API 6D DIB-1)
S	Single Piston Effect (SPE) (API 6D DBB)
C	DPE & SPE combination (API 6D DIB-2)

Seat insert (15)	
V	Devlon
K	CF PEEK

Inner Seal (16)	
V	Viton
H	HNBR

Outer Seal (17)	
G	Graphite

End connections (19-22)	
Flanged	
1500	ASME B16.5 #1500
2500	ASME B16.5 #2500
PN250	DIN EN 1092-1 PN250
PN320	DIN EN 1092-1 PN320
PN400	DIN EN 1092-1 PN400

Flanged RTJ	
1500RTJ	ANSI B16.5 #1500 RTJ
2500RTJ	ANSI B16.5 #2500 RTJ

Welded	
XBW160	Extended butt weld sch 160

Special features (23-30)	
L*	seat greasing point
D*	Drain & Vent
Blank	Drain & vent is capped
H*	Drain ball valve & vent
PT**	Basic paint system
PTI**	Offshore, Temp Ambient up to 93°C (200°F)
PT2	Offshore, up to 537°C (1000°F)

* for 6" up

** color RAL 7038