

73

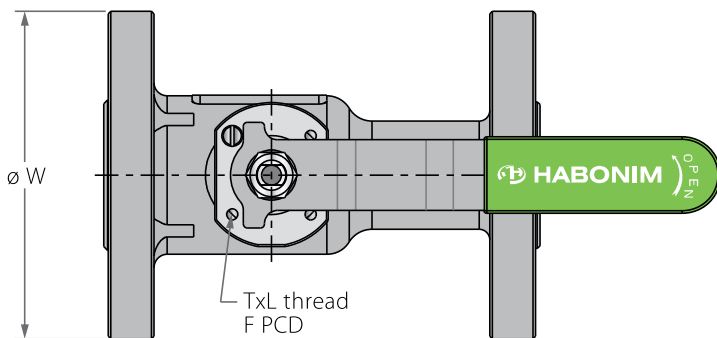
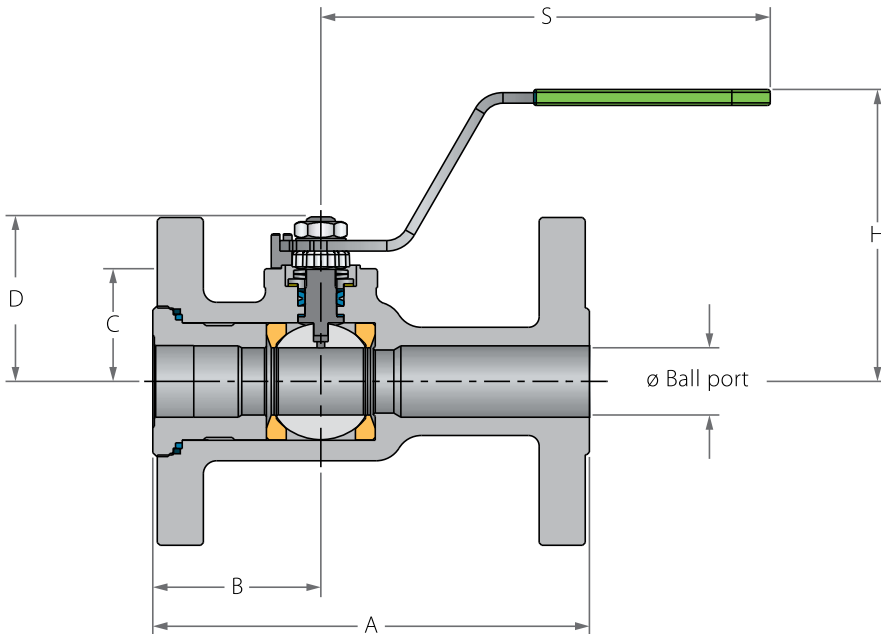
74

78

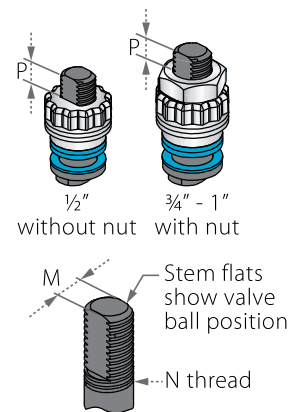
1/2"-1" | DN15-DN25 | CLASS 150/300/PN 40

Floating Ball Flanged

Valve dimensions



Preparation for actuation



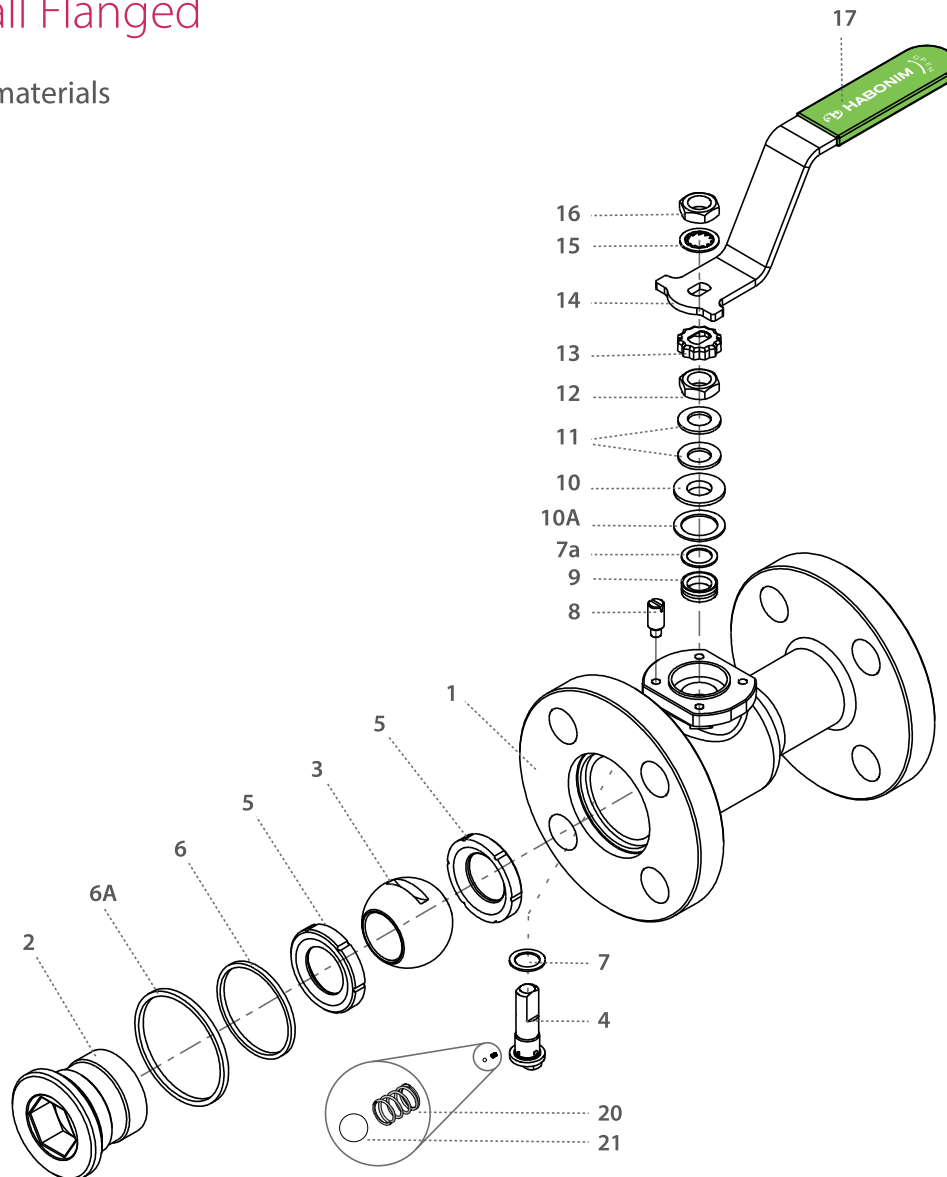
73 74																			
Std. port	Unit	Ball port	A		B	C	D	H	S	W		M	N	P	F	TxL	Weight kg/lb		Kv
			150	300						150	300						150	300	
DN15	mm	14.3	108	140	47	31.40	40.5	94	151	89	95	5.54	1"-14	6.65 (F03)	36	M5x10	1.8	2.3	28
1/2"	inch	0.56	4.25	5.51	1.85	1.25	1.59	3.70	5.95	3.50	3.74	0.22	UNF-2A"	0.26	1.42		4	5.1	32
DN20	mm	20.6	117	152	57	38.20	55.6	103.5	170	98	117	7.54	1"-14	7.4 (F04)	42	M5x10	2.2	3.3	46
3/4"	inch	0.81	4.61	5.98	2.24	1.50	2.19	4.08	6.69	3.86	4.61	0.30	UNF-2A"	0.29	1.65		4.8	7.3	53
DN25	mm	25.4	127	165	62	42.70	60.3	108	170	108	124	7.54	1"-14	7.4 (F04)	42	M5x10	3.2	4.6	80
1"	inch	1.00	5.00	6.50	2.44	1.68	2.37	4.25	6.69	4.25	4.88	0.30	UNF-2A"	0.29	1.65		7	10.1	93

78																			
Std. port	Unit	Ball port	A		B	C	D	H	S	W	M	N	P	F	TxL	Weight kg/lb		Kv	
			F1	F4												F1	F4		Cv
DN15	mm	14.3	130	115	48	31.50	40.5	98.6	151	95	5.54	1"-14	6.65 (F03)	36	M5x10	2.2	2.1	28	
1/2"	inch	0.56	5.12	4.53	1.89	1.24	1.59	3.88	5.95	3.74	0.22	UNF-2A"	0.26	1.42		4.8	4.6	32	
DN20	mm	20.6	150	120	58	38.30	56.5	105	170	105	7.54	1"-14	7.4 (F04)	42	M5x10	3.2	3	46	
3/4"	inch	0.81	5.91	4.72	2.28	1.51	2.22	4.13	6.69	4.13	0.30	UNF-2A"	0.29	1.65		7	6.6	53	
DN25	mm	25.4	160	125	63.5	41.80	61	108	170	115	7.54	1"-14	7.4 (F04)	42	M5x10	4.2	4	80	
1"	inch	1.00	6.30	4.92	2.50	1.65	2.40	4.25	6.69	4.53	0.30	UNF-2A"	0.29	1.65		9.2	8.8	93	



Floating Ball Flanged

Components & materials



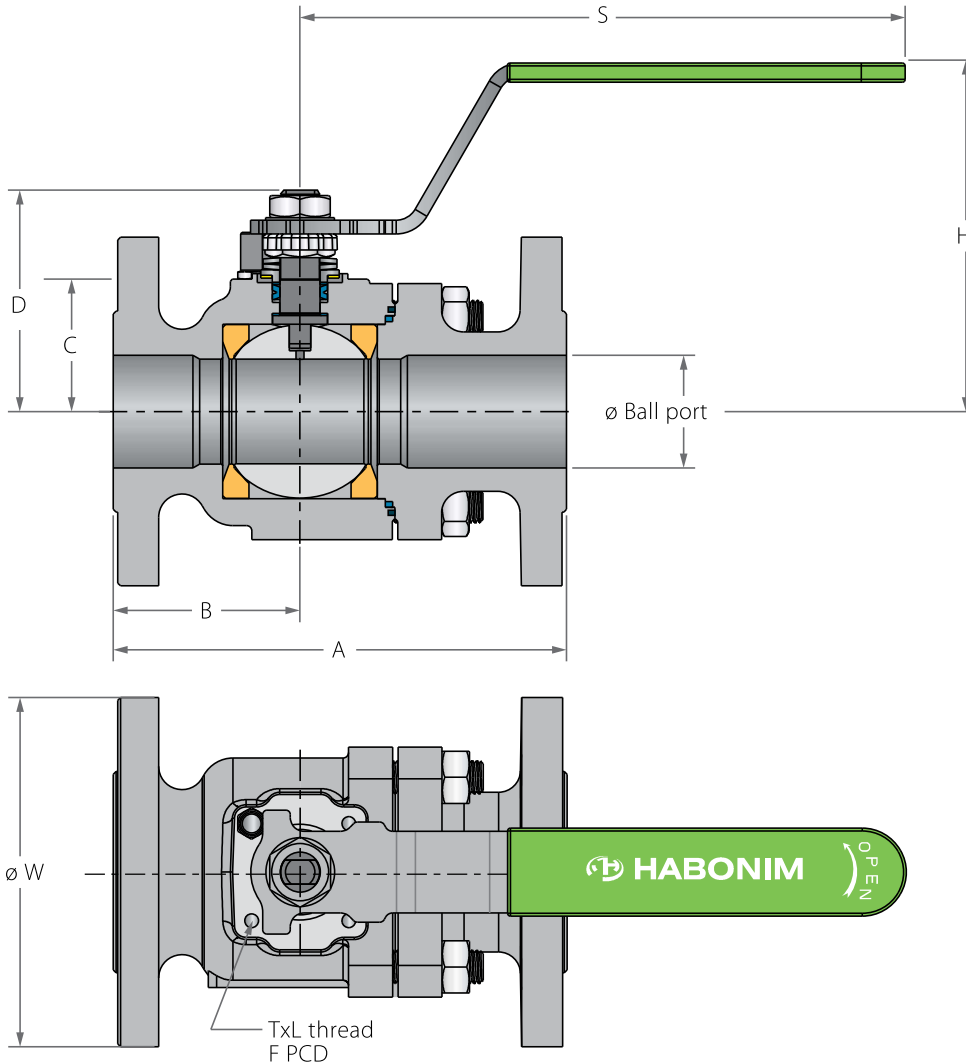
Item	Description	Material specification	Qty.
1	Body	Acc. Ordering Code	1
2	Insert	A351 CF8M, A216 WCB, A351 CN7M, A494	1
3	Ball	Acc. Ordering Code	1
4	Stem	Acc. Ordering Code	1
5*	Seat	Acc. Ordering Code	2
6*	Inner seal	PTFE	1
6A*	Outer seal	Acc. Ordering Code	1
7*	Stem thrust seal	VIRGIN PEEK, PCTFE (KEL-F)	1
7a*	Anti-abrasion ring	VIRGIN PEEK, PCTFE (KEL-F)	1
8	Stop pin	S. Steel	1
9*	Stem seal	CF PTFE, TFM	1
10	Follower	S. Steel	1

Item	Description	Material specification	Qty.
10A*	Slide bearing	S. Steel	1
11	Disc spring	S. Steel	2
12	Stem nut	S. Steel	1
13	Locking clip	S. Steel	1
14	Handle	S. Steel	1
15	Serrated washer	S. Steel	1
16	Handle nut	S. Steel	1
17	Sleeve	PVC	1
20	Anti-static spring	S. Steel	1
21	Anti-static plunger	S. Steel	1
23	Tag (not shown)	S. Steel	1

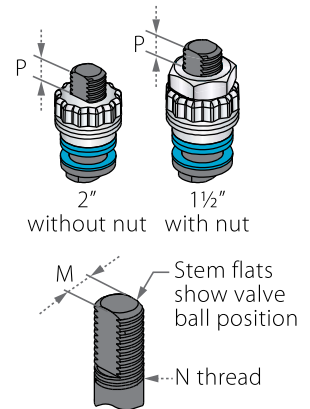
* Repair kit components

Floating Ball Flanged

Valve dimensions



Preparation for actuation



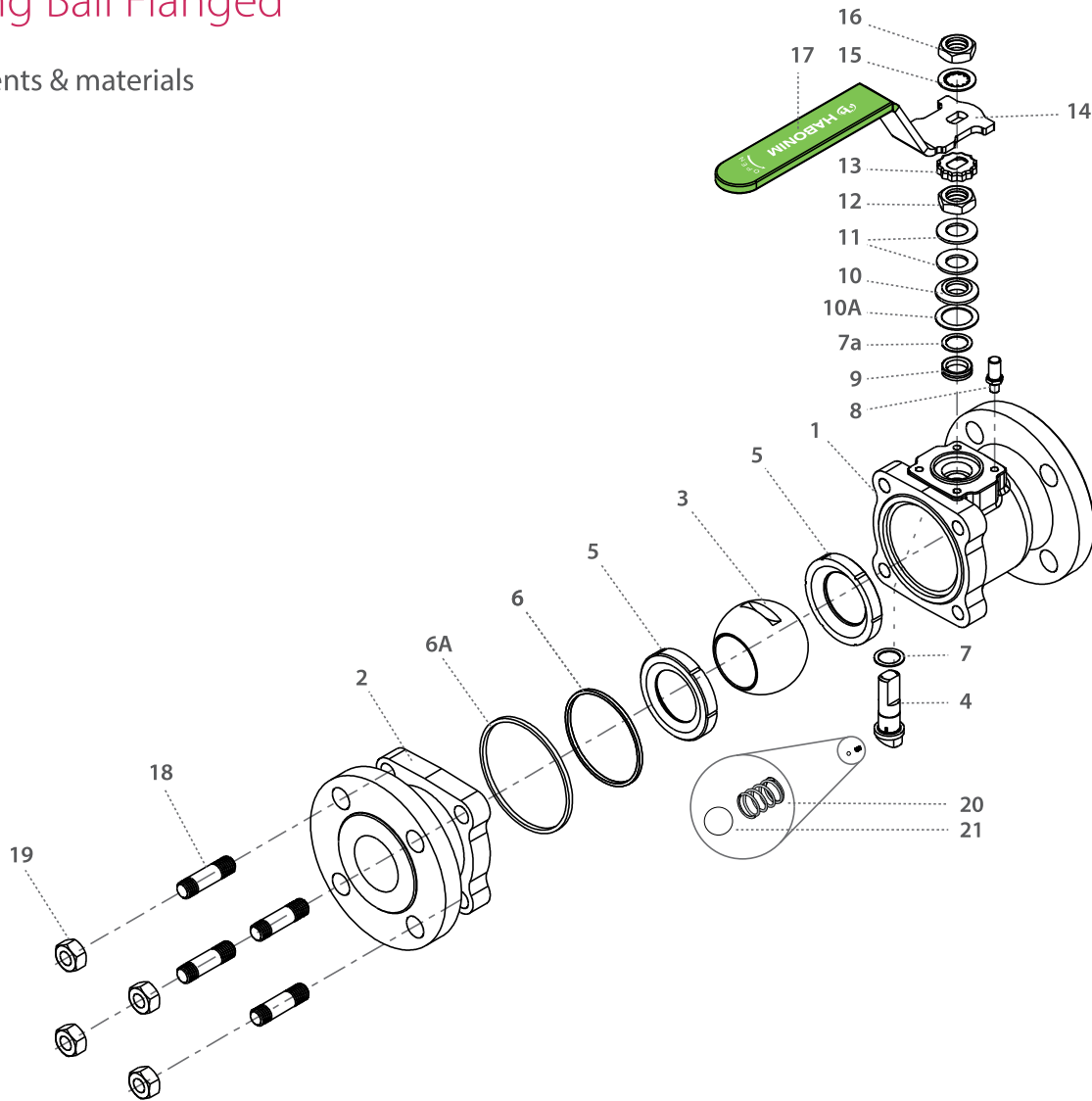
		73 74																		
Std. port	Unit	Ball port	A		B		C	D	H	S	W		M	N	P	F	TxL	Weight kg/lb		Kv
			150	300	150	300					150	300						150	300	
DN32	mm	31.8	140	178	59	-	49.00	73	120.5	220.1	115	135	8.71	5/16" UNF	8.5 (F05)	50	M6x12	-	-	-
1¼"	inch	1.25	5.51	7.00	2.32	-	1.92	2.87	4.74	8.66	4.53	5.31	0.34	5/16" UNF	0.33	1.97	M6x12	-	-	-
DN40	mm	38.1	165	190	97	110	48.30	77.8	124	220.1	127	156	8.71	5/16" UNF	8.5 (F05)	50	M6x12	6.6	9.8	220
1½"	inch	1.50	6.50	7.50	3.82	4.33	1.90	30.60	4.88	8.66	5.00	6.14	0.34	5/16" UNF	0.33	1.97	M6x12	14.5	21.5	255
DN50	mm	50	178	216	109	141	70.00	88	134.2	220.1	152	165	8.71	5/16" UNF	13.5 (F07)	70	M8x12	13	15	430
2"	inch	2.00	7.00	8.50	4.29	5.55	2.75	3.46	5.28	8.66	5.98	6.50	0.34	5/16" UNF	0.53	2.75	M8x12	28.6	33	499

		78																	
Std. port	Unit	Ball port	A		B	C	D	H	S	W	M	N	P	F	TxL	Weight kg/lb		Kv	
			F1	F4												F1	F4		Cv
DN32	mm	31.8	180	130	56	49.00	73	121.4	220.1	140	8.71	5/16" UNF	8.5 (F05)	50	M6x12	-	-	-	
1¼"	inch	1.25	7.10	5.11	2.20	1.92	2.87	4.78	8.66	5.51	0.34	5/16" UNF	0.33	1.97	M6x12	-	-	-	
DN40	mm	38.1	200	140	65.9	48.30	77.8	124	220.1	150	8.71	5/16" UNF	8.5 (F05)	50	M6x12	10.9	10.3	220	
1½"	inch	1.50	7.87	5.51	2.59	1.90	30.60	4.88	8.66	5.91	0.34	5/16" UNF	0.33	1.97	M6x12	24	22.7	255	
DN50	mm	50	230	150	60.7	78.00	119	137.3	220.1	165	8.71	5/16" UNF	13.5 (F07)	70	M8x12	15	13	430	
2"	inch	2.00	9.06	5.91	2.39	30.70	4.69	5.41	8.66	6.50	0.34	5/16" UNF	0.53	2.75	M8x12	33	28.6	499	



Floating Ball Flanged

Components & materials



Item	Description	Material specification	Qty.
1	Body	Acc. Ordering Code	1
2	End	Acc. Ordering Code	1
3	Ball	Acc. Ordering Code	1
4	Stem	Acc. Ordering Code	1
5*	Seat	Acc. Ordering Code	2
6*	Inner seal	PTFE	1
6A*	Outer seal	Acc. Ordering Code	1
7*	Stem thrust seal	VIRGIN PEEK, PCTFE (KEL-F)	1
7a*	Anti-abrasion ring	VIRGIN PEEK, PCTFE (KEL-F)	1
8	Stop pin	S. Steel	1
9*	Stem seal	CF PTFE, TFM	1
10	Follower	S. Steel	1
10A*	Slide bearing	S. Steel	1

Item	Description	Material specification	Qty.
11	Disc spring	S. Steel	2
12	Stem nut	S. Steel	1
13	Locking clip	S. Steel	1
14	Handle	S. Steel	1
15	Serrated washer	S. Steel	1
16	Handle nut	S. Steel	1
17	Sleeve	PVC	1
18	Body bolts	S. Steel	4
19	Body nuts	S. Steel	4
20	Anti-static spring	S. Steel	1
21	Anti-static plunger	S. Steel	1
23	Tag (not shown)	S. Steel	1

* Repair kit components

73

74

2½"-8" | DN65-DN200 | CLASS 150/300

77

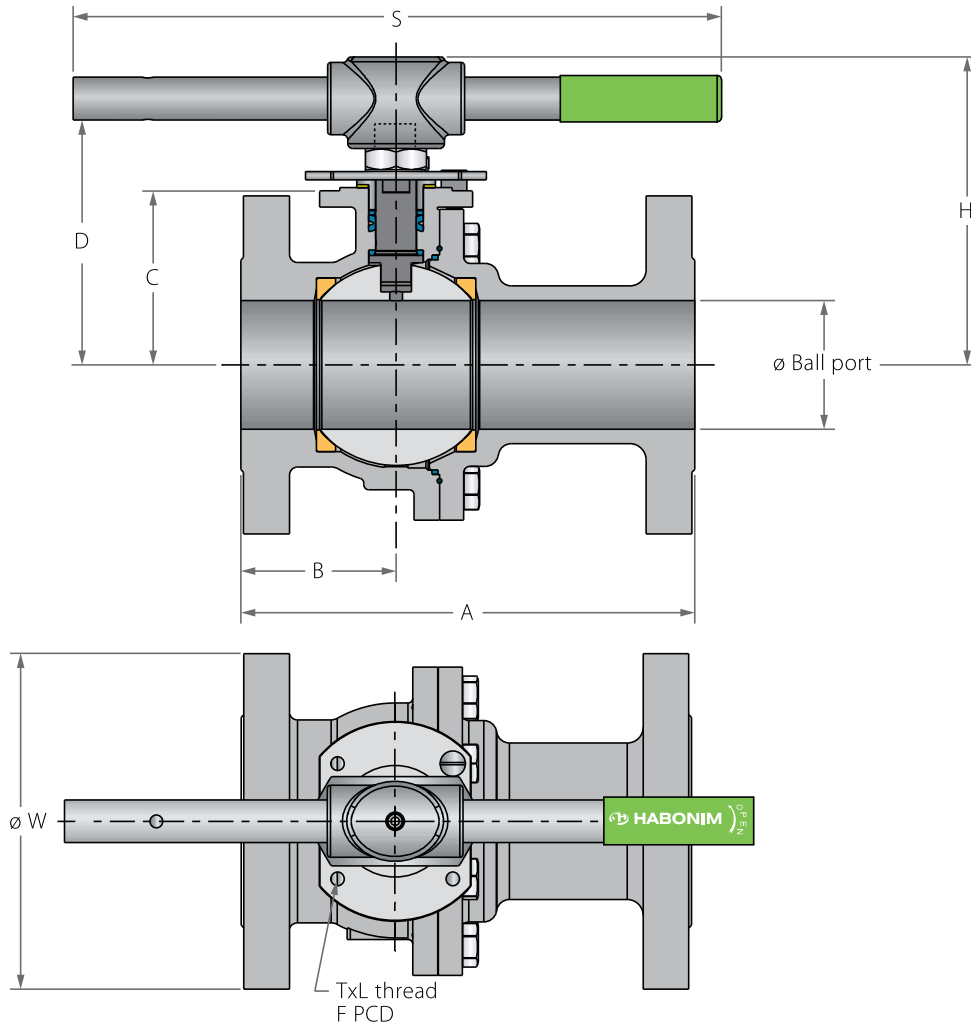
3"-8" | DN80-DN200 | PN 16

78

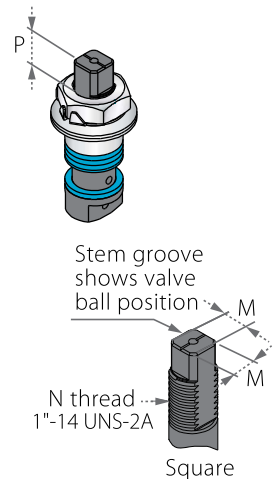
2½" | DN65 | PN40

Floating Ball Flanged

Valve dimensions



Preparation for actuation



Std. port	Unit	Ball port	73 74 2½"-8"																TxL	Weight kg/lb		Kv	
			A		B		C	D	H	S	W			M	M-DD	N	P	F		150	300		Cv
			150	300	150	300					150	300	190										
DN65	mm	65	190	241	83	-	119	165.5	194.8	400	180	190	18.9	15.9	1"-14	16.7	(F10)	102	-	-	-		
2½"	inch	2.56	7.48	9.48	3.26	-	4.76	6.51	7.67	15.75	7.08	7.48	0.74	0.63	UNS-2A	0.66		4.02	-	-	-		
DN80	mm	80	203	282.5	77.5	96.4	108	154.6	194.8	400	191	210	18.9	15.9	1"-14	16.7	(F10)	102	22	28.2	1111		
3"	inch	3.20	7.99	11.12	3.05	3.80	4.25	6.09	7.67	15.75	7.52	8.27	0.74	0.63	UNS-2A	0.66		4.02	48.5	62.2	1300		
DN100	mm	100	228.5	304.8	84.5	104.5	124	170.5	211	610	230	254	18.9	15.9	1"-14	16.7	(F10)	102	39	44.5	2051		
4"	inch	3.94	9.00	12.00	3.33	4.11	4.88	6.69	8.31	24.02	9.06	10.00	0.74	0.63	UNS-2A	0.66		4.02	86	98.1	2400		
DN150	mm	150	394	403.5	163.5	174.5	179	248.5	308	916	2794	328	28.45	23.75	1½"-12	26.2	(F12)	125	82	100	4615		
6"	inch	5.91	15.51	15.89	6.44	6.87	7.05	9.78	12.13	36.06	11.00	12.91	1.12	0.94	UNS-2A	1.03		4.92	180.8	220.5	5400		
DN200	mm	200	457.2	502	242.5	241	241	353.7	-	-	460	460	35.92	35.92	2"-8	37.5	(F14)	140	190	225	7949		
8"	inch	7.87	18.00	19.76	9.55	9.49	9.49	19.93	-	-	18.11	18.11	1.41	1.41	UNS-2A	1.48		5.51	418.9	496	9300		

Std. port	Unit	Ball port	78 2½" 77 3"-8"																TxL	Weight kg/lb		Kv
			A 16/40		B		C 16/40	D 16/40	H	S	W 16/40	M	M-DD	N	P	F	F5	F4		Cv		
			F5/F1	F4	16	40																
DN65	mm	65	-	170	83	70	119	165.5	194.8	400	185	18.9	15.9	1"-14	16.7	(F10)	102	-	-	-		
2½"	inch	2.56	-	6.69	3.26	2.75	4.68	6.51	7.67	15.75	7.28	0.74	0.63	UNS-2A	0.66		4.02	-	-	-		
DN80	mm	80	-	180	77.5	-	108.00	162	194.8	400	200	18.9	15.9	1"-14	16.7	(F10)	102	-	24	1111		
3"	inch	3.20	-	7.09	3.05	-	4.25	6.40	7.67	15.75	7.87	0.74	0.63	UNS-2A	0.66		4.02	-	52.8	1300		
DN100	mm	100	-	190	84.5	-	132.00	186	211	610	225	18.9	15.9	1"-14	16.7	(F10)	102	-	30	2051		
4"	inch	3.94	-	7.48	3.33	-	5.20	7.32	8.31	24.02	8.86	0.74	0.63	UNS-2A	0.66		4.02	-	66	2400		
DN150	mm	150	350	-	163.5	-	178.00	236	308	916	328	28.45	23.75	1½"-12	26.2	(F12)	125	63	-	4615		
6"	inch	5.91	13.78	-	6.44	-	7.01	9.29	12.13	36.06	12.91	1.12	0.94	UNS-2A	1.03		4.92	139	-	5400		
DN200	mm	200	400	-	242.5	-	226.00	286	-	-	395	35.92	35.92	2"-8	37.5	(F14)	140	97	-	7949		
8"	inch	7.87	15.75	-	9.55	-	8.91	11.26	-	-	15.55	1.41	1.41	UNS-2A	1.48		5.51	213	-	9300		

73

74

2½"-8" | DN65-DN200 | CLASS 150/300



77

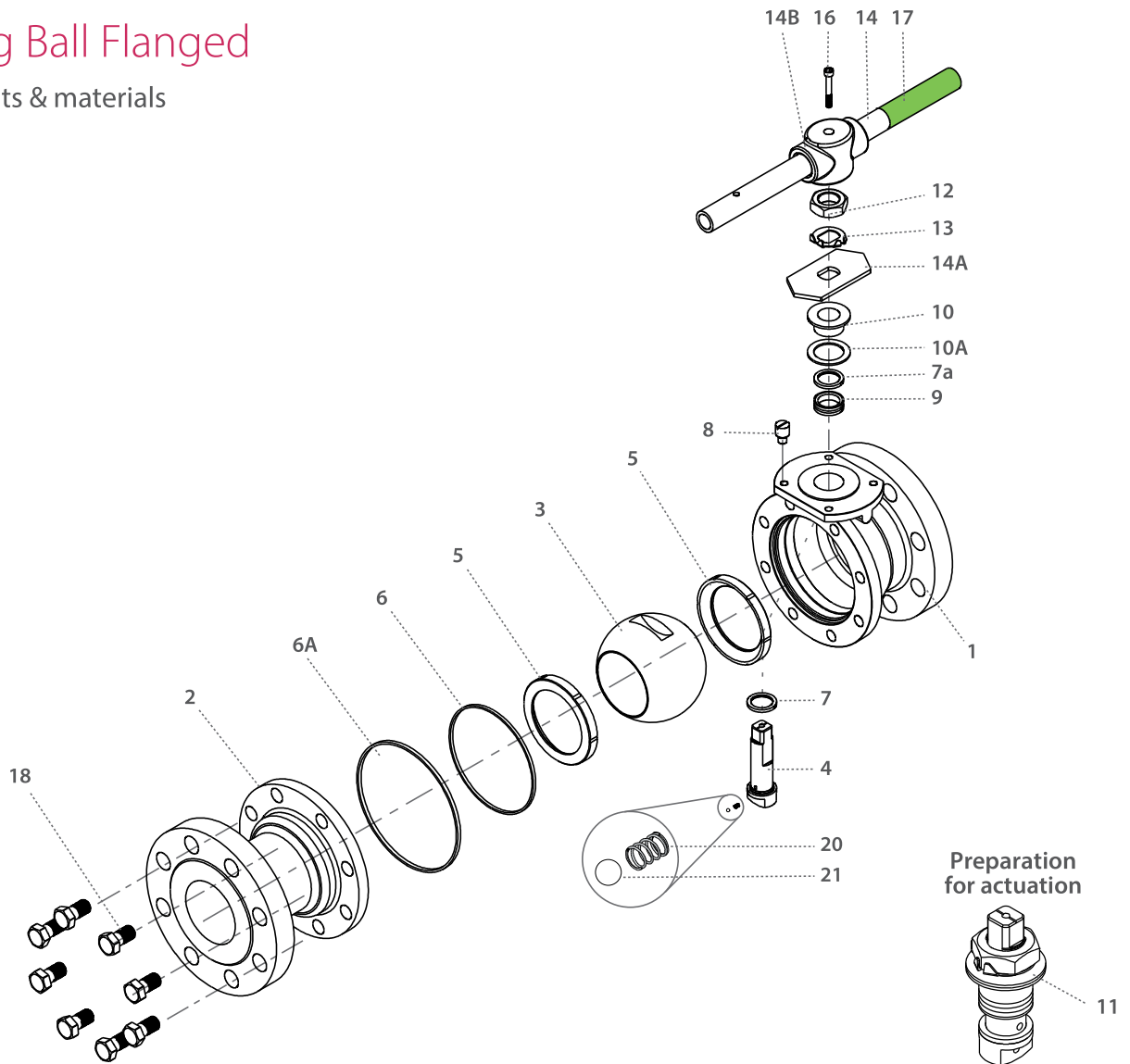
3"-8" | DN80-DN200 | PN 16

78

2½" | DN65 | PN40

Floating Ball Flanged

Components & materials



Item	Description	Material specification	Qty.
1	Body	Acc. Ordering Code	1
2	End	Acc. Ordering Code	1
3	Ball	Acc. Ordering Code	1
4	Stem	Acc. Ordering Code	1
5*	Seat	Acc. Ordering Code	2
6*	Inner seal	PTFE	1
6A*	Outer seal	Acc. Ordering Code	1
7*	Stem thrust seal	VIRGIN PEEK, PCTFE (KEL-F)	1
7a*	Anti-abrasion ring	VIRGIN PEEK, PCTFE (KEL-F)	1
8	Stop pin	S. Steel	1
9*	Stem seal	CF PTFE, TFM	1
10	Follower	S. Steel	1
10A*	Slide bearing	S. Steel	1
11	Disc spring	S. Steel	2

Item	Description	Material specification	Qty.
12	Stem nut	S. Steel	1
13	Tab lock washer	A240 304	1
14**	Handle	S. Steel	1
14A	Stop plate	S. Steel	1
14B	Wrench head	S. Steel	1
16	Wrench bolt	S. Steel	1
17	Sleeve	PVC	1
18	Body bolts	S. Steel	8-12
20	Anti-static spring	S. Steel	2
21	Anti-static plunger	S. Steel	2
23	Tag (not shown)	S. Steel	1

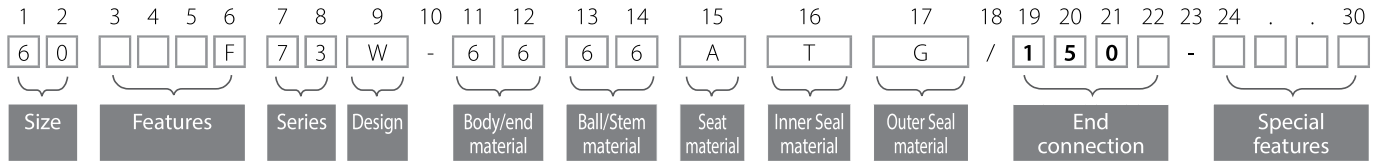
* Repair kit components

** Gear operator should be used for size 8" DN200 (handle components are not included)



Floating Ball Flanged - Ordering Code System

"Mandatory option" options are marked with **green background** | "Standard offer" options are marked with **light green background**



Size (1-2)		
Code	inch	mm
05	½"	15
07	¾"	20
10	1"	25
12	1¼"	32
15	1½"	40
20	2"	50
25	2½"	65
30	3"	80
40	4"	100
60	6"	150
80	8"	200

Features (3-6)	
F	Fire safe
N	Control service
O	Clean assembly for O2 service
M	Ammonia service
K	Chlorine service
V	Vacuum service
H	Hydrogen service

Series (7-8)	
31	ANSI #150 std. port
32	ANSI #300 std. port
73	ANSI #150 full port
74	ANSI #300 full port
77	DIN PN 16 full port
78	DIN PN 40 full port

Design (9)	
W	Total HermetiX Integrity package
G	Total HermetiX Integrity package - FDA compliant

Body/Ends material (11-12)	
6	S. SteelCF8M/CF3M
4	C. steel
W	Hasteloy-C22
S	254SMO
D	Duplex
9	Low Temp C. steel
1	Bronze
K	Super Duplex
7	Monel
A	Alloy-20
C	Hasteloy-C276

Ball material (13)	
6	S. SteelCF8M/CF3M
M	High Strength S. Steel
W	Hasteloy-C22
S	254SMO
D	Duplex
1	Bronze
K	Super Duplex
7	Monel
A	Alloy-20
C	Hasteloy-C276

Stem material (14)	
6	S. Steel316L
M	High Strength S. Steel
Z	Inconel 718 B637
W	Alloy-C22 B574
S	254SMO A479
A	Alloy-20 A351 CN7M
D	Duplex A479
K	Super Duplex A479
7	Monel
C	Hasteloy-C276

Seat material (15)	
A	TFM
P	CF PTFE
K	CF PEEK
L	Virgin Peek
U	UHMWPE
C	PCTFE
Y	Delrin
W	PVDF
T	PTFE

Inner Seal Material (16)	
T	PTFE
A	TFM
G	Expanded graphite
U	UHMWPE
V	Viton
B	NBR

Outer Seal (17)	
G	Expanded graphite
A	TFM

End Connection (19-22)	
Welded ends	
150	ASME B16.5 #150 RF
300	ASME B16.5 #300 RF
PN16	EN1092 PN16 RF
PN40	EN1092 PN40 RF

Special Features (24-30)	
P250	Ball with Upstream Relief Hole
SRS	Self Relief Seat
J2N05	Jacketed valve- number of ports (2), type (NPT) and size (½")

Valve Special Stem Seals	
LAX	FDA Compliant, Stem seal, Virgin Peek thrust and TFM, X shape, gasket
HC	High Cycle service

Face To Face sizes	
F4 *	F4 - DIN 3202-1 RF (½" - 4")
F1 **	F1 - DIN 3202-1 RF (½" - 2")
F5 ***	F5 - DIN 3202-1 RF (6")

* Standard offer: ½" to 1¼" & 2½" to 4"
 ** Standard offer: 1½" & 2"
 *** Standard offer: 6"