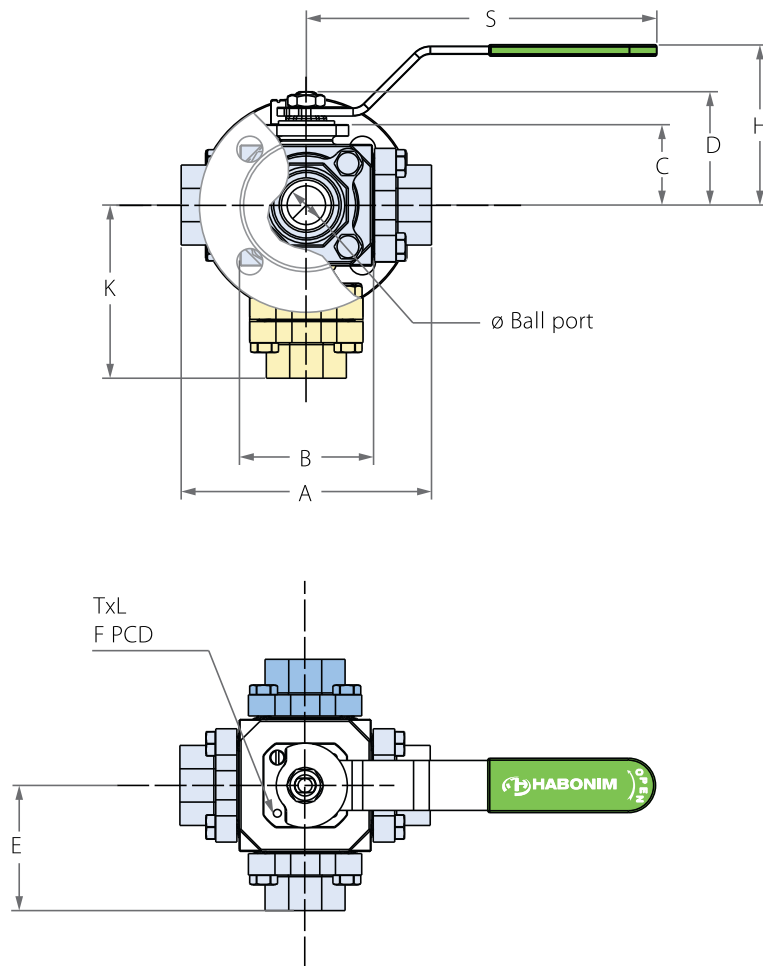
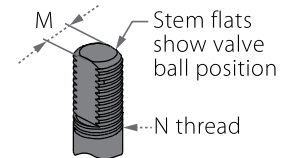
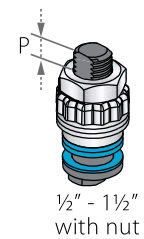


Multiport Floating Ball

Valve dimensions



Preparation for actuation



Valve Face To Face sizes are according to Habonim catalog data only, for Extended-weald/Flanged/Tri-clamp end see Face To Face sizes page.

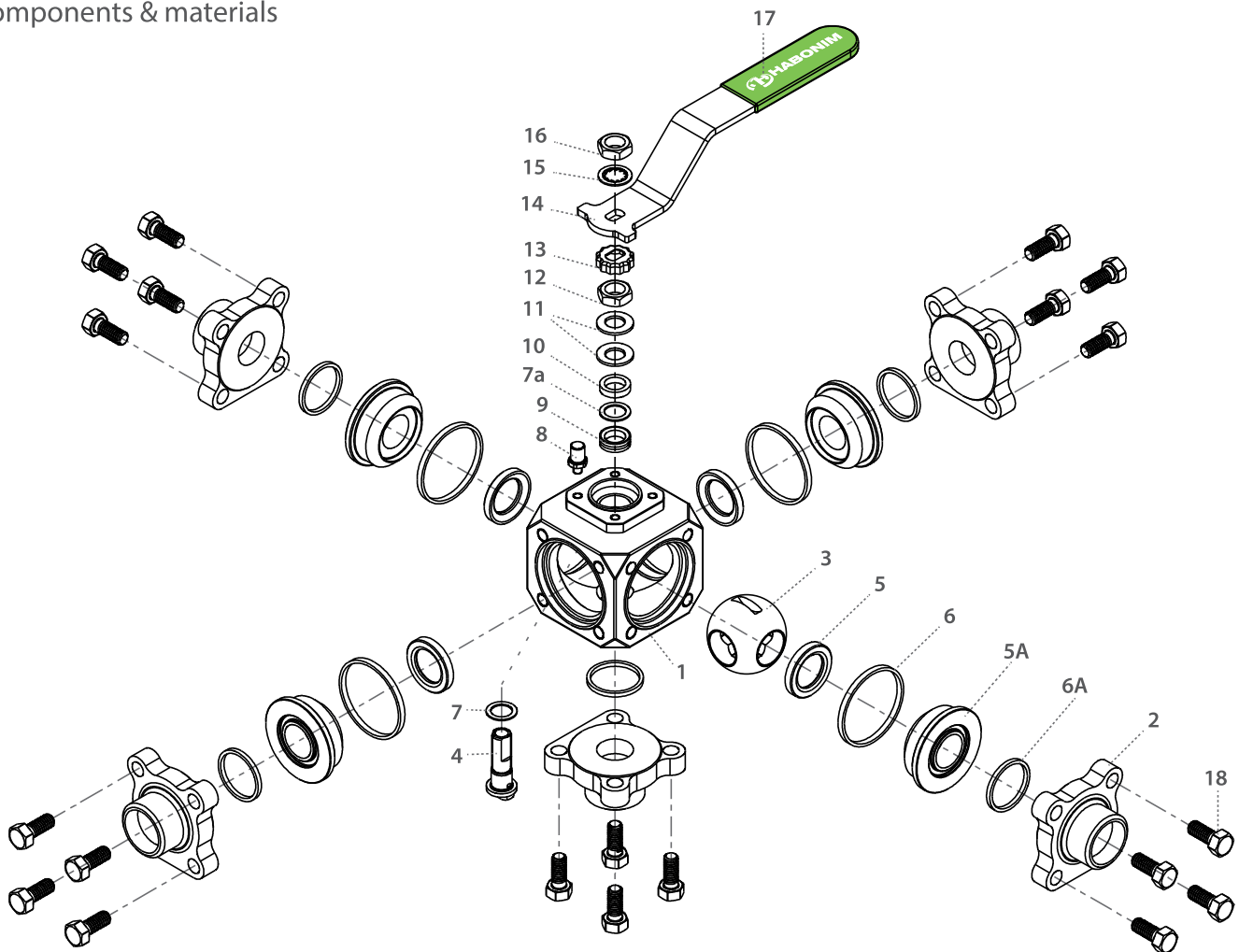
Std. port	Unit	Ball port	A	B	C	D	E (E0)	K	H	M	N	P	TxL	F	S	Weight kg/lb
DN15	mm	14.30	108.00	62.00	37.50	50.00	A/2 (A0/2)	110.50	80.00	7.54	7/16"	7.40	M5X10	(F04)	187.00	2.75
1/2"	inch	0.56	4.25	2.44	1.47	2.16		4.35	3.14	0.30	UNF	0.29		7.36	6.06	
DN20	mm	14.30	108.00	62.00	37.50	50.00	A/2 (A0/2)	110.50	80.00	7.54	7/16"	7.40	M5X10	(F04)	187.00	2.75
3/4"	inch	0.56	4.25	2.44	1.47	2.16		4.35	3.14	0.30	UNF	0.29		7.36	6.06	
DN25	mm	20.70	135.00	71.60	43.00	60.50	A/2 (A0/2)	93.20	85.50	7.54	7/16"	7.40	M5X10	(F04)	187.00	4.00
1"	inch	0.81	5.31	2.81	1.69	2.38		3.66	3.36	0.30	UNF	0.29		7.36	8.82	
DN32	mm	25.50	144.00	76.00	48.00	65.50	A/2 (A0/2)	102.00	90.00	7.54	7/16"	7.40	M5X10	(F04)	187.00	5.80
1 1/4"	inch	1.00	5.66	2.99	1.88	2.57		4.01	3.54	0.30	UNF	0.29		7.36	12.78	
DN40	mm	31.65	158.00	91.00	49.50	79.00	A/2 (A0/2)	106.00	103.00	8.71	9/16"	8.50	M6X12	(F05)	237.00	7.50
1 1/2"	inch	1.24	6.22	3.58	1.94	3.11		4.17	4.05	0.34	UNF	0.33		9.33	16.53	

Valve Size		Flow Coefficients	
mm	inch	KV	CV
DN20	3/4"	9	11
DN25	1"	27	31
DN32	1 1/4"	47	55
DN40	1 1/2"	67	78



Multiport Floating Ball

Components & materials



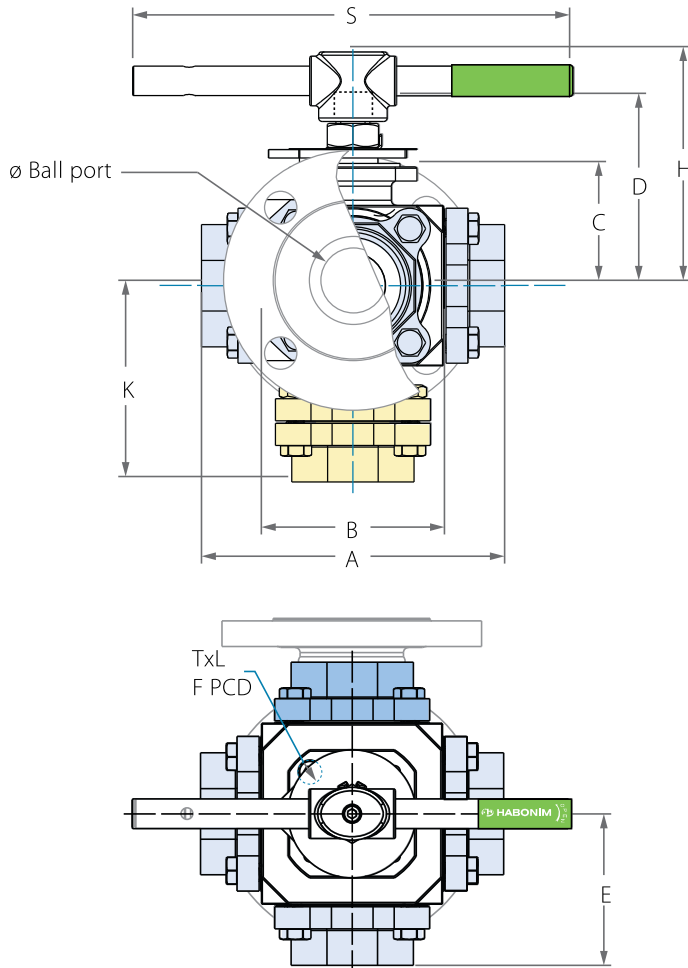
Item	Description	Material specification	Qty.
1	Body	Acc. Ordering Code	1
2	Ends	Acc. Ordering Code	4
3	Ball	Acc. Ordering Code	1
4	Stem	Acc. Ordering Code	1
5*	Seat	Acc. Ordering Code	4
5A	Support seat	Acc. Ordering Code	4
6*	Seat seal	Acc. Ordering Code	4
6A*	Body seal	Acc. Ordering Code	5
7*	Stem thrust seal	PEEK, CF PEEK, PCTFE	1
7a	Anti-abrasion ring	PEEK, CF PEEK, PCTFE	1
8	Stop pin	S. Steel	1

Item	Description	Material specification	Qty.
9*	Stem seal	CF PTFE,TFM	1
10	Follower	S. Steel	1
11	Disc spring	S. Steel	2
12	Stem nut	S. Steel	1
13	Locking clip	S. Steel	1
14	Handle	S. Steel	1
15	Serrated washer	S. Steel	1
16	Handle nut	S. Steel	1
17	Sleeve	PVC	1
18	Body bolt	S. Steel	20
23	Tag (not shown)	S. Steel	1

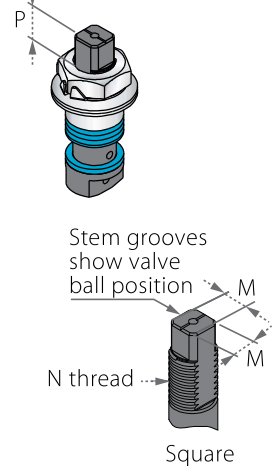
* Repair kit components

Multiport Floating Ball

Valve dimensions



Preparation for actuation



Valve Face To Face sizes are according to Habonim catalog data only, for Extended-weald/Flanged/Tri-clamp end see Face To Face sizes page.

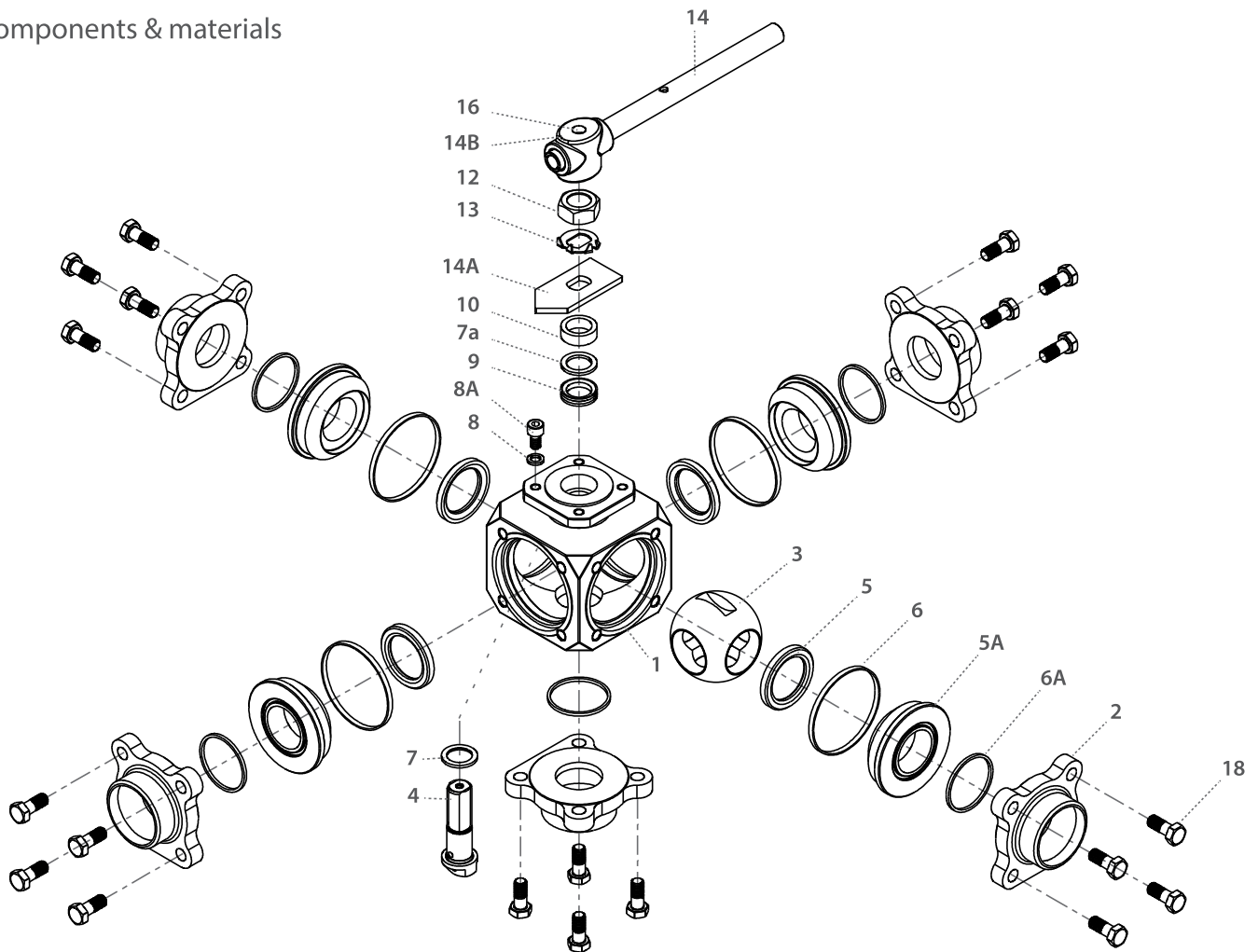
Std. port	Unit	Ball port	A	B	C	D	E (E0)	K	H	M	M-DD	N	P	TxL	F	S	Weight kg/lb
DN50	mm	38.10	178.00	107.20	69.60	111.20	A/2 (A0/2)	115.00	139.40	13.90	-	M20x2.5	14.60	M8X12	(F07)	400.00	10
2"	inch	1.50	7.00	4.22	2.74	4.37		4.52	5.48	0.55	-	-	0.57	M8X12	(F07)	15.75	12
DN65	mm	50.80	210.40	125.00	78.50	120.10	A/2 (A0/2)	143.20	150.90	13.90	-	M20x2.5	14.60	M8X12	(F07)	400.00	31
2½"	inch	2.00	8.28	4.92	3.09	4.72		5.63	5.94	0.55	-	-	0.57	M8X12	(F07)	15.75	36
DN80	mm	60.00	250.00	164.00	102.00	149.00	A/2 (A0/2)	149.00	139.40	18.90	15.90	1"-14	16.70	M10x20	(F10)	610.00	40
3"	inch	2.36	9.84	6.45	4.01	5.86		5.87	5.48	0.74	0.63	UNS-2A	0.66	M10x20	(F10)	24.00	46
DN100	mm	76.00	309.80	205.00	116.70	168.00	A/2 (A0/2)	190.00	150.90	28.45	23.75	1"-14	26.20	M10x20	(F10)	920.00	55
4"	inch	2.99	12.19	8.07	4.59	6.61		7.48	5.94	0.74	0.63	UNS-2A	0.66	M10x20	(F10)	36.20	64

Valve Size		Flow Coefficients	
mm	inch	KV	CV
DN50	2"	87	101
DN65	2½"	201	233
DN80	3"	267	310
DN100	4"	484	562



Multiport Floating Ball

Components & materials



Item	Description	Material specification	Qty.
1	Body	Acc. Ordering Code	1
2	Ends	Acc. Ordering Code	4
3	Ball	Acc. Ordering Code	1
4	Stem	Acc. Ordering Code	1
5*	Seat	Acc. Ordering Code	4
5A	Support seat	Acc. Ordering Code	4
6*	Seat seal	Acc. Ordering Code	4
6A*	Body seal	Acc. Ordering Code	5
7*	Stem thrust seal	PEEK, CF PEEK, PCTFE	1
7a	Anti-abrasion ring	PEEK, CF PEEK, PCTFE	1
8	Spring Washer	S. Steel	1
8A	Stop Bolts	S. Steel	1

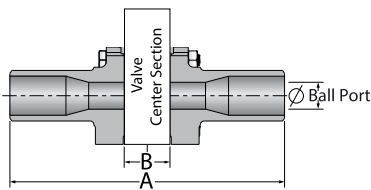
Item	Description	Material specification	Qty.
9*	Stem seal	CF PTFE,TFM	1
10	Follower	S. Steel	1
12	Stem nut	S. Steel	1
13	Tab Lock Washer	S. Steel	1
14	Wrench Handle	C.St. Zinc Plate	1
14A	Stop Plate	S. Steel	1
14B	Wrench Head	S. Steel	1
16	Wrench Bolt	S. Steel	1
17	Sleeve	PVC	1
18	Body bolt	S. Steel	20
23	Tag (not shown)	S. Steel	1

* Repair kit components

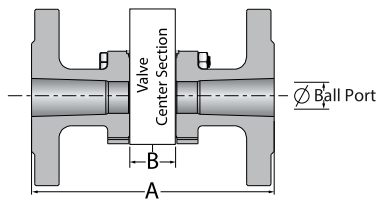
Face To Face Sizes

Valve Size	Unit	B		A-XBW		A-ETO	A-Flanged CLASS 150+300		A-Flanged CLASS 600		A-Flanged DIN		A-TC
		Std. port	Full port	Std. port	Full port	Std. port	Std. port	Full port	Std. port	Full port	Std. port	Full port	Full port
DN10	mm	62	62	182	184.4	150							
3/8"	inch	2.4	2.4	7.2	7.3	5.9							
DN15	mm	62	62	182	184.4	178.4	181.4	177.4	206.4	177.4	171.4	167.4	130.2
1/2"	inch	2.4	2.4	7.2	7.3	7	7.1	6.9	8.1	6.9	6.7	6.5	5.1
DN20	mm	62	71.6	184.4	208.6	184.4	189.4	191.9	189.4	191.9	187.4	189.9	139
3/4"	inch	2.4	2.8	7.3	8.2	7.3	7.4	7.5	7.4	7.5	7.3	7.5	5.5
DN25	mm	71.6	76	208.6	214	204	204.9	199.7	256.0	199.7	199.9	194.7	154.2
1"	inch	2.8	3	8.2	8.4	8	8.0	7.9	59.0	7.9	7.9	7.7	6.1
DN32	mm	76	91	214	232	214	212.7	220.6	212.7	220.6	214.7	222.6	
1 1/4"	inch	3	3.6	8.4	9.1	8.4	8.4	8.7	8.4	8.7	8.5	8.8	
DN40	mm	91	107.2	232	251.2	226.6	232.6	240.9	283.6	240.9	242.6	250.9	182.4
1 1/2"	inch	3.6	4.2	9.1	9.9	8.9	9.2	9.5	11.2	9.5	9.6	9.9	7.2
DN50	mm	107.2	125	251.2	285	244.4	266.9	268.4	342.8	268.4	280.9	282.4	209.8
2"	inch	4.2	4.9	9.9	11.2	9.6	10.5	10.5	13.5	10.5	11.0	11.1	8.3
DN65	mm	125	164	285	364	275	293.4	321.6	293.4	410.6	342.4	370.6	265.4
2 1/2"	inch	4.9	6.5	11.2	14.3	10.8	11.5	12.7	11.5	16.2	13.5	14.6	10.4
DN80	mm	164	205	364	445	331	362.6	378.2	436.6	452.2	390.6	452.2	296.4
3"	inch	6.5	8.1	14.3	17.5	13	14.3	14.9	17.2	17.8	15.4	17.8	11.7
DN100	mm	205		445		445	401.2		528.2		528.2		341.6
4"	inch	8.1		17.5		17.5	15.8		20.8		20.8		13.4

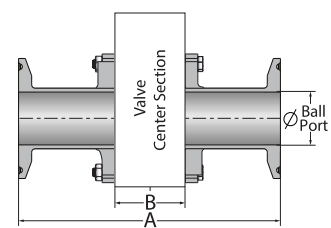
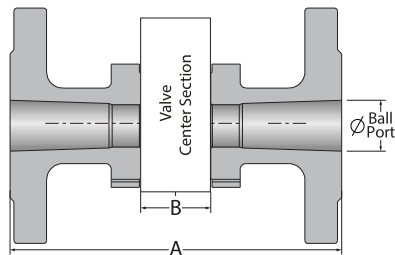
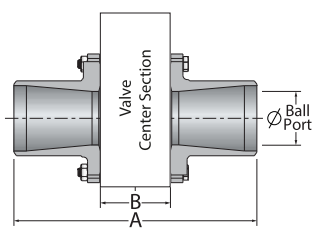
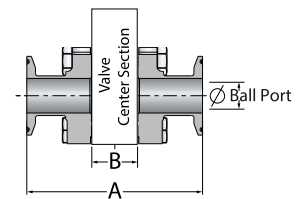
XBW / ETO



Flanged



TC





Multiport Floating Ball - Ordering Code System

"Mandatory option" options are marked with **green background** | "Standard offer" options are marked with **light green background**

1	2	3	4	5	6	7	8	9	10	11	12	13	14	15	16	17	18	19	20	21	22	23	24	25	26	27	28	29	30
2	0					6	1	X	-	6	6	6	6	A	T		/	B	W			#	0	3	4				
Size		Features				Series		Design	-	Body/end material		Ball/Stem material		Seat material	Body/seat seal		/	End connection			Flow pattern code				Special features				

Size (1-2)		
Code	inch	mm
02	¼"	8
03	⅜"	10
05	½"	15
07	¾"	20
10	1"	25
12	1¼"	32
15	1½"	40
20	2"	50
25	2½"	65
30	3"	80
40	4"	100

Features (3-6)	
B *	Full port
F	Shell only -fire safe
O	Clean assembly for O2 service
H	Hydrogen service

* up to 3"

Series (7-8)	
61	Multiport with three horizontal ports
62	Multiport with four horizontal ports

Design (9)	
X	Hermetix stem seal

Body/Ends material (11-12)	
6	S. SteelCF8M/CF3M
1	Bronze
4	C. steel A216 WCB/A105
9	C. steel A352 LCB
7	Monel
A	Alloy-20 A351 CN7M
W	Alloy-C22 B574
D	Duplex A479
K	Super Duplex A479
S	254SMO A479

Ball material (13)	
6	S. SteelCF8M/CF3M
W	Hasteloy-C22
S	254SMO
D	Duplex
1	Bronze
K	Super Duplex
7	Monel
A	Alloy-20

Stem material (14)	
6	S. Steel316L
M	High Strength S. Steel
Z	Inconel 718 B637
W	Alloy-C22 B574
S	254SMO A479
A	Alloy-20 A351 CN7M
D	Duplex A479
K	Super Duplex A479
7	Monel

Seat material (15)	
A	TFM
U	UHMWPE
P	CF PTFE
C	PCTFE
K	CF PEEK
L	Virgin Peek

Body/seat seal (16)	
T	PTFE
G	Expanded graphite
A	TFM
U	UHMWPE

End Connection (19-22)	
Welded ends	
BW10	Buttweld schd. 10
BW	Buttweld schd. 40
XBW10	Extended buttweld schd. 10
XBW	Extended buttweld schd. 40
BW5	Buttweld schd. 5
BWD	Buttweld DIN 11850
SW	Socket weld
SWO	Socket weld tube OD
BWO	Buttweld tube OD
ETO	Extended tube OD
XSW	Extended socket weld

Threaded	
NPT	ASME B1.20.1 - National Pipe Taper thread
BSPT	EN 10226 - Pipe Taper thread
MNPT	Male NPT
MBSPT	Male BSPT
BSPP	ISO228-1, DIN3852 - Pipe Parallel thread
DIN3852	DIN3852 - Pipe Parallel thread
AS5202	SAE internal straight thread

Flanged	
150	ASME B16.5 #150 RF
300	ASME B16.5 #300 RF
600	ASME B16.5 #600 RF
PN16	EN1092 PN16 RF
PN40	EN1092 PN40 RF
PN63	EN1092 PN63 RF
PN100	EN1092 PN100 RF

Clamp	
LL	Compression fitting (Imperial) - No Nuts & Ferrules
LM	Compression fitting (metric) - No Nuts & Ferrules
LL-NF	Compression fitting (Imperial) - with Nuts & Ferrules
LM-NF	Compression fitting (metric) - with Nuts & Ferrules
TC	Tri-Clamp
GR	Grayloc® compatible hub (Grayloc® is a registered trademark of Grayloc Products, L.L.C.)

Flow pattern code (23 -26)	
#001-#028	3 way side entry
#029-#031	3 way bottom entry
#032-#063	4 way side entry
#064-#073	4 way bottom entry
#074-#085	5 way bottom entry

Special Features (27-30)	
B	Body made from rolled bar
EP	Electropolished
G...	Internal surface finish (G24, G32)

Valve Special Stem Seals	
HC	High Cycle service
AAX	FDA compliant stem seal. TFM thrust bearing and X shape gasket
PPX	CF PTFE thrust and X shape gasket
CAX	PCTFE thrust and TFM X shape gasket
CPX	PCTFE thrust and CF PTFE X shape gasket