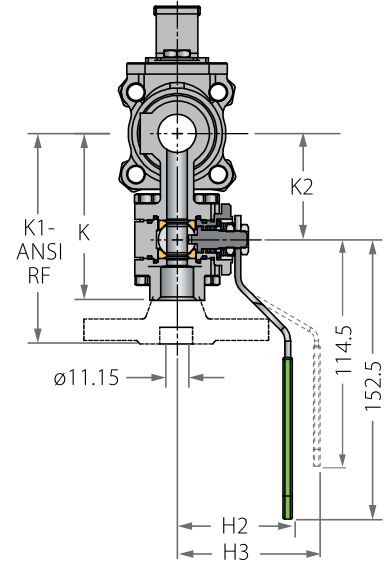
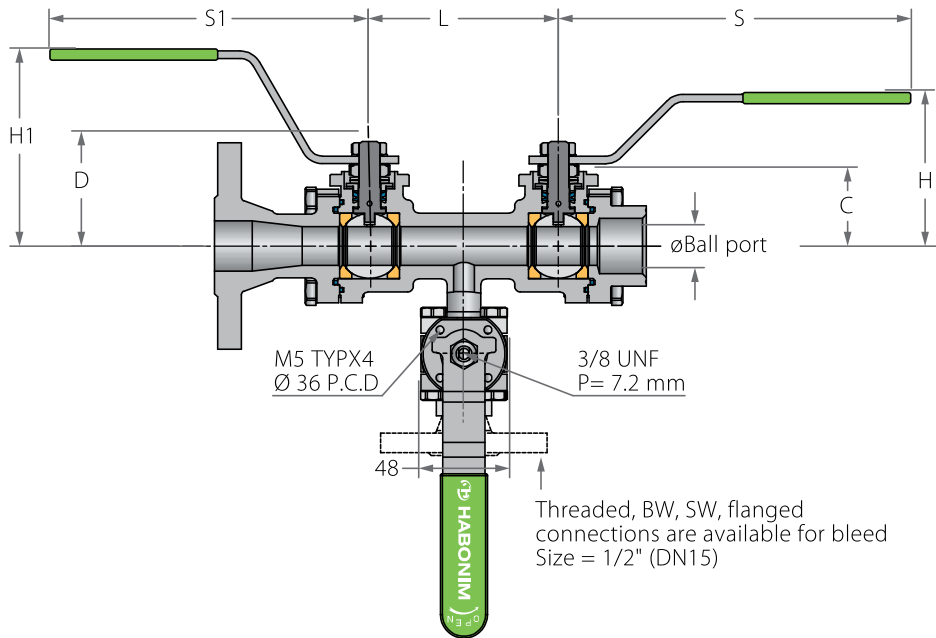


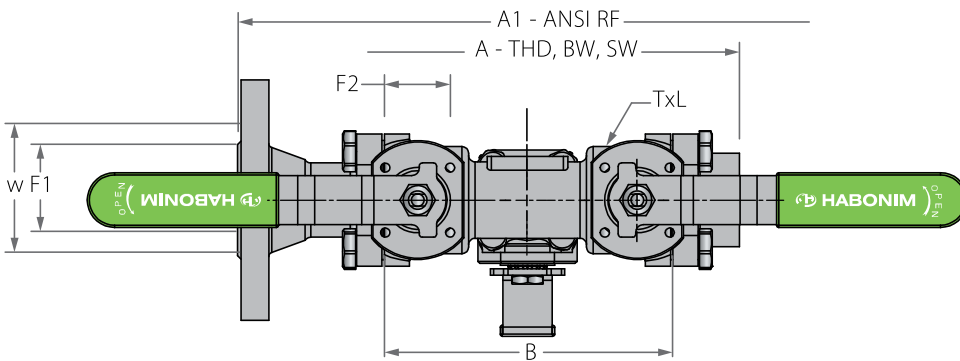
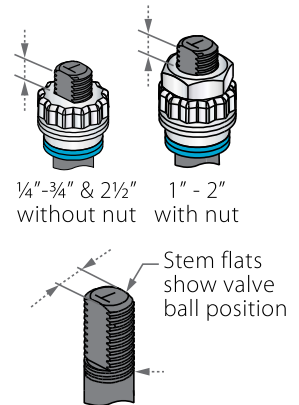
Dual Safe | Double Block & Bleed Floating Ball 3 Piece

Valve dimensions



Threaded, BW, SW, flanged connections are available for bleed Size = 1/2" (DN15)

Preparation for actuation



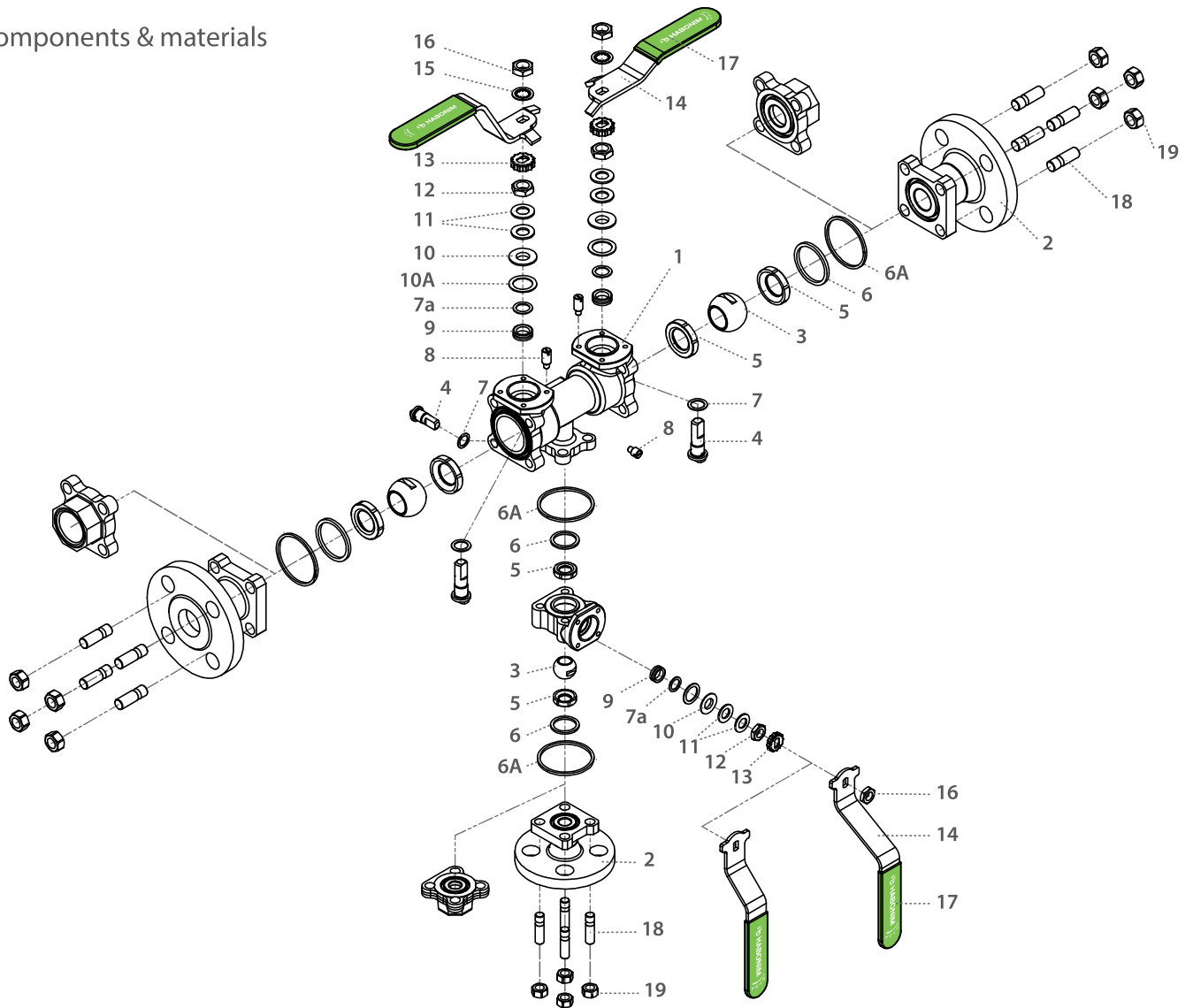
Valve Face To Face sizes are according to Habonim catalog data only, for Extended-weald/Flanged/Tri-clamp end see Face To Face sizes page.

Std. port	Unit	Ball Port	A1-RF	A	B	C	D	H	H1	H2	H3	K	K1	K2	L	S	S1	W	N	P	F	TxL	Kv	Cv
DN15	mm	11.15	212.6	138.4	93.2	29.00	37.8	91	47	62	92	90.3	127.4	57.4	72.6	114.5	152.5	47	3/8 UNF	6.65 (F03)	36	M5X10	6.9	8
1/2"	inch	0.44	8.4	5.43	3.65	1.14	1.49	3.58	1.85	2.44	3.62	3.54	5.01	2.26	2.85	4.51	6	1.84		0.26	1.41			
DN20	mm	14.3	234.6	153.2	107.2	31.40	40.3	93	49	62	92	86.3	127	53.4	82.65	114.5	152.5	53.7	3/8 UNF	6.65 (F03)	36	M5X10	10	12
3/4"	inch	0.56	9.2	6.01	4.2	1.23	1.59	3.66	1.93	2.44	3.62	3.38	5.00	2.1	3.24	4.51	6	2.11		0.26	1.41			
DN25	mm	20.65	265.5	193.9	131.9	38.15	55.6	106	62	62	92	90.3	126	57.4	100.5	146	163	63.7	7/8 UNF	7.4 (F04)	42	M5X10	28	32
1"	inch	0.81	10.4	7.6	5.17	1.50	2.19	4.17	2.44	2.44	3.62	3.54	4.96	2.26	3.94	5.75	6.42	2.50		0.29	1.65			
DN32	mm	25.5	278.9	209.3	142.2	42.65	60.2	109.5	90.5	88	118	92.3	127.2	59.4	100.95	146	163	71.7	7/8 UNF	7.4 (F04)	42	M5X10	49	57
1 1/4"	inch	1	11.0	8.21	5.58	1.67	2.37	4.31	3.56	3.46	4.65	3.62	5.00	2.34	3.96	5.75	6.42	2.81		0.29	1.65			
DN40	mm	31.8	317.8	241.9	176.2	43.55	73	121.5	99.6	88	118	98.3	135.6	65.4	127.85	180	259	86.7	9/16 UNF	8.5 (F05)	50	M6X12	69	80
1 1/2"	inch	1.25	12.5	9.49	6.91	1.71	2.87	4.78	3.92	3.46	4.65	3.85	5.34	2.57	5.01	7.09	10.2	3.40		0.33	1.96			
DN50	mm	38.15	343.9	254.2	184.2	48.25	77.8	125	103	88	118	104.3	149.2	71.4	127.9	180	259	96.9	9/16 UNF	8.5 (F05)	50	M6X12	102	118
2"	inch	1.5	13.6	9.97	7.22	1.89	3.06	4.95	4.06	3.46	4.65	4.09	5.87	2.81	5.02	7.09	10.2	3.80		0.33	1.96			
DN65	mm	51.05	397.6	314.6	229.2	70.00	88.1	138	116	88	118	111.3	152.8	78.4	156.54	180	259	108	9/16 UNF	13.5 (F07)	70	M8X12	208	241
2 1/2"	inch	2.01	15.6	12.34	8.99	2.75	3.47	5.43	4.57	3.46	4.65	4.36	6.01	3.08	6.14	7.09	10.2	4.24		0.53	2.75			



Dual Safe | Double Block & Bleed Floating Ball 3 Piece

Components & materials



Item	Description	Material specifications	Qty.
1	Body	Acc. Ordering Code	2
2	Ends	Acc. Ordering Code	3
3	Ball	Acc. Ordering Code	3
4	Stem	Acc. Ordering Code	3
5*	Seat	Acc. Ordering Code	6
6*	Body seal	Acc. Ordering Code	4
6A*	Outer seal	Acc. Ordering Code	4
7*	Stem thrust seal	PEEK, CF PEEK, PCTFE	3
7a	Anti-abrasion ring	PEEK, CF PEEK, PCTFE	3
8	Stop pin	S. Steel	3
9*	Stem seal	CF PTFE, TFM, Graphite	3
10	Follower	S. Steel	3
10A	Slide bearing	S. Steel	3

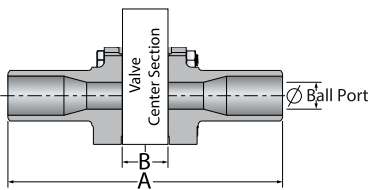
Item	Description	Material specifications	Qty.
11	Disc spring	S. Steel	6
12	Stem nut	S. Steel	3
13	Locking clip	S. Steel	3
14	Handle	S. Steel	3
15	Serrated washer	S. Steel	3
16	Handle nut	S. Steel	3
17	Sleeve	PVC	3
18	Body bolt	S. Steel	12
19	Body nut	S. Steel	12
20	Anti-static spring	S. Steel	3
21	Anti-static plunger	S. Steel	3
23	Tag (not shown)	S. Steel	1

* Repair kit components

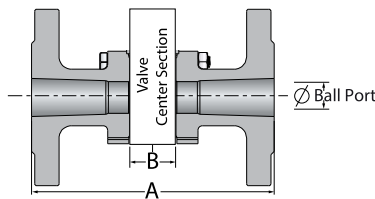
Face To Face Sizes

Valve Size	Unit	B		A-XBW		A-ETO		A-Flanged CLASS 150+300		A-Flanged CLASS 150+300		A-Flanged DIN		A-TC
		Std. port	Full port	Std. port	Full port	Std. port	Full port	Std. port	Full port	Std. port	Full port	Std. port	Full port	Full port
DN10	mm	93.2	93.2	213.2	215.6	181.2								
3/8"	inch	3.7	3.7	8.4	8.5	7.1								
DN15	mm	93.2	107.2	213.2	229.6	209.6	212.6	222.6	237.6	222.6	202.6	212.6	161.4	
1/2"	inch	3.7	4.2	8.4	9	8.3	8.4	8.7	9.4	8.7	8.0	8.3	6.4	
DN20	mm	107.2	132.2	229.6	269.2	229.6	234.6	252.5	234.6	252.5	232.6	250.5	184.2	
3/4"	inch	4.2	5.2	9	10.6	9	9.2	9.9	9.2	9.9	9.1	9.9	7.3	
DN25	mm	132.2	142.2	269.2	280.2	264.6	265.5	265.9	316.5	265.9	260.5	260.9	214.8	
1"	inch	5.2	5.6	10.6	11	10.4	10.4	10.5	12.5	10.5	10.3	10.3	8.5	
DN32	mm	142.2	176.2	280.2	317.2	280.2	278.9	305.8	278.9	305.8	280.9	307.8		
1 1/4"	inch	5.6	6.9	11	12.5	11	11.0	12.0	11.0	12.0	11.1	12.1		
DN40	mm	176.2	184.2	317.2	328.2	311.8	317.8	317.9	368.8	317.9	327.8	327.9	267.6	
1 1/2"	inch	6.9	7.3	12.5	12.9	12.3	12.5	12.6	14.5	12.6	12.9	13.0	10.5	
DN50	mm	184.2	229.2	328.2	389.2	321.4	343.9	372.6	419.8	372.6	357.9	386.6	286.8	
2"	inch	7.3	9	12.9	15.3	12.7	13.6	14.6	16.5	14.6	14.1	15.2	11.3	
DN65	mm	229.2		389.2		379.2	397.6		397.6		446.6		369.6	
2 1/2"	inch	9		15.3		14.9	15.6		15.6		17.6		14.6	

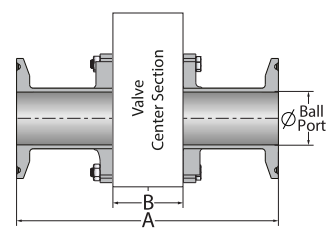
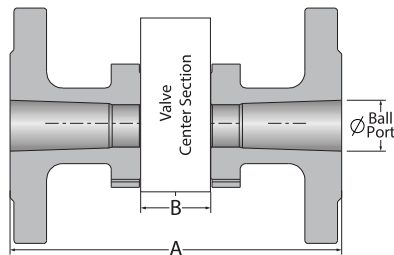
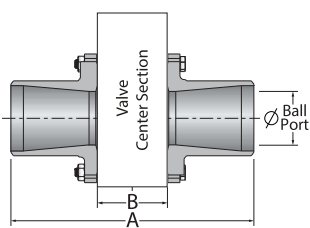
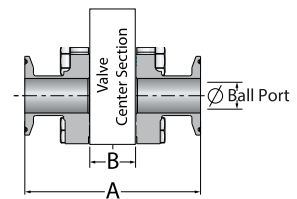
XBW / ETO



Flanged



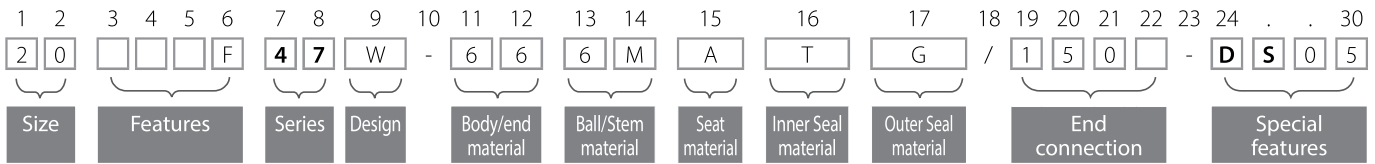
TC





Dual Safe | Double Block & Bleed - Ordering Code System

"Mandatory option" options are marked with **green background** | "Standard offer" options are marked with **light green background**



Size (1-2)		
Code	inch	mm
05	½"	15
07	¾"	20
10	1"	25
12	1¼"	32
15	1½"	40
20	2"	50
25*	2½"	65

* Std. port only

Features (3-6)	
F	Fire safe
B	Full port
I	High purity Class 10000
H	Hydrogen service

Series (7-8)	
47	Floating ball 3 piece

Design (9)	
W	Total HermetiX Integrity package
G	Total HermetiX Integrity package - FDA compliant

Body material (11)	
6	S. Steel
4	C. steel A216 WCB/ A105

End material(12)	
6	S. Steel
4	C. steel A216 WCB/ A105

Ball material (13)	
6	S. Steel 316L
M	High Strength S. Steel

Stem material (14)	
M	High Strength S. Steel
6	S. Steel

Seat material (15)	
A	TFM
U	UHMWPE
T	PTFE
P	CF PTFE
C	PCTFE
K	CF PEEK
L	Virgin Peek
Y	Delrin
W	PVDF

Inner Seal Material (16)	
T	PTFE
A	TFM
U	UHMWPE
V	Viton
B	NBR
G	Expanded graphite

Outer Seal (17)	
G	Expanded graphite
T	PTFE
A	TFM
U	UHMWPE
V	Viton
B	NBR

End Connection (19-22)	
Welded	
BW10	Buttweld schd. 10
BW	Buttweld schd. 40
SW	Socket weld
XBW10	Extended buttweld schd. 10
XBW	Extended buttweld schd. 40
XSW	Extended socket weld
BW5	Buttweld schd. 5
BW80	Buttweld schd. 80
BWO	Buttweld tube OD
BWD	Buttweld DIN 11850
BWI	buttweld ISO
SWO	Socket weld tube OD
ETO	Extended tube OD
ETI	Extended buttweld ISO
ETD	Extended buttweld DIN

Threaded	
NPT	ASME B1.20.1 - National Pipe Taper thread
BSPT	EN 10226 - Pipe Taper thread
BSPP	ISO228-1, DIN3852 - Pipe Parallel thread
DIN3852	DIN3852 - Pipe Parallel thread
AS5202	SAE internal straight thread
MNPT	Male NPT
MBSPT	Male BSPT

Flanged	
150	ASME B16.5 #150 RF
300	ASME B16.5 #300 RF
600	ASME B16.5 #600 RF
900	ASME B16.5 #900 RF
PN16	EN1092 PN16 RF
PN40	EN1092 PN40 RF
PN63	EN1092 PN63 RF
PN100	EN1092 PN100 RF
PN160	EN1092 PN160 RF

Clamp	
LL	Compression fitting (Imperial) - No Nuts & Ferrules
LM	Compression fitting (metric) - No Nuts & Ferrules
LL-NF	Compression fitting (Imperial) - with Nuts & Ferrules
LM-NF	Compression fitting (metric) - with Nuts & Ferrules
TC	Tri-Clamp
GR	Grayloc® compatible hub (Grayloc® is a registered trademark of Grayloc Products, L.L.C.)0

Special Features (24-30)	
Dual Safe Features	
DS	Dual Safe with Ball Valve Bleed
DSN	Dual Safe with Needle Valve Bleed
Bleed Connection Size	
05	½" (DN15)
02	¼" (DN8)
03	¾" (DN10)
Bleed Connection	
Blank	The same as the line connection
N	NPT
D	DIN3852
B	BSPT
BW	BW