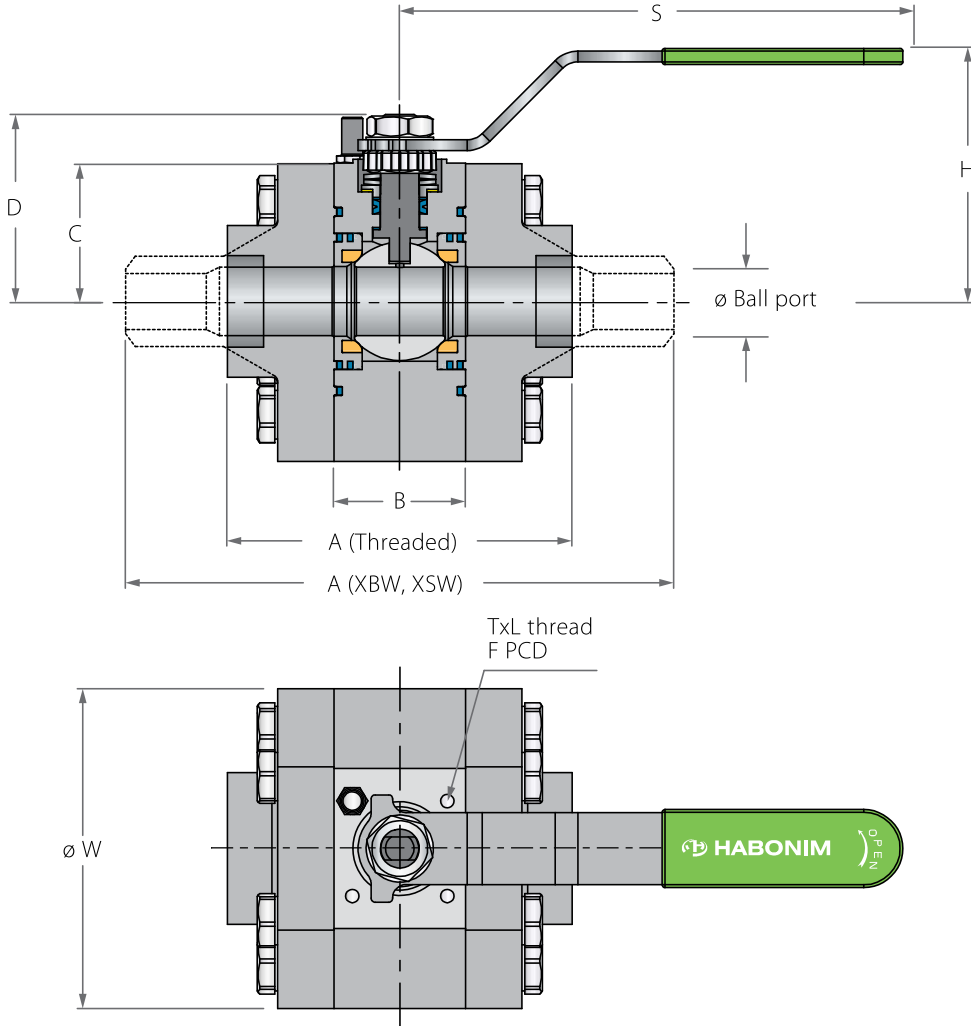
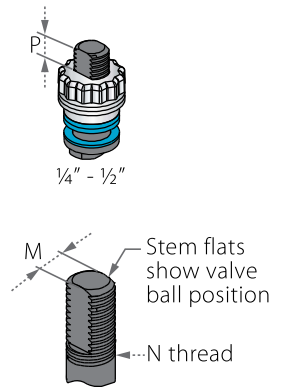


High Pressure Floating Ball 3 Piece

Valve dimensions



Preparation for actuation



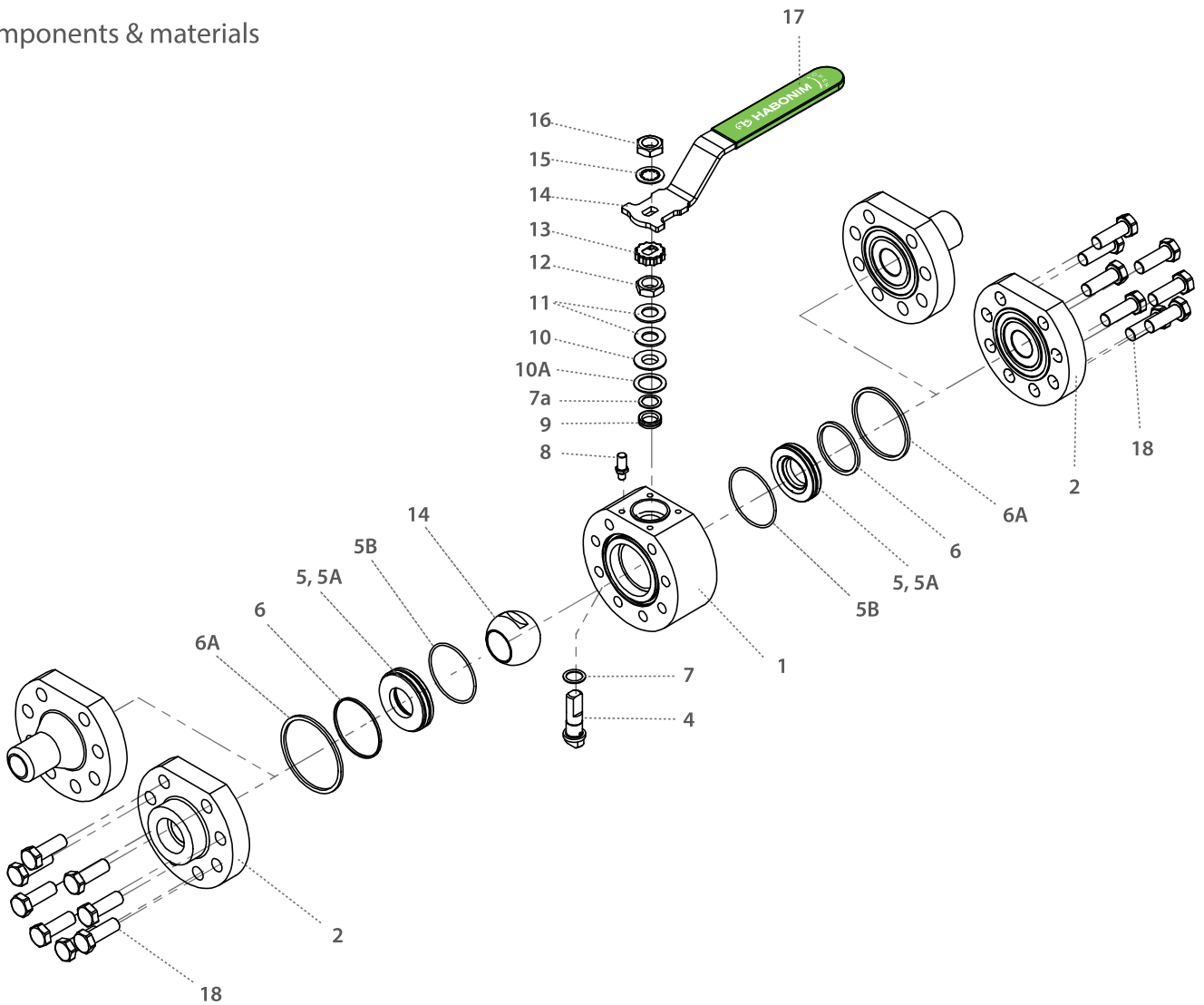
Valve Face To Face sizes are according to Habonim catalog data only, for Extended-weald/Flanged/Tri-clamp end see Face To Face sizes page.

Std. port	Unit	Ball port	A THD	A XBW/XSW	B	C	D	Ø W	H	M	N	P	S	ISO PCD	F	TxL	Weight			Kv
																	THD	XBW	Cv	
DN8	mm	11.10	92.00	159.00	35.00	29.00	38.00	69.00	63.00	5.50	3/8" UNF	6.70	150.00	(F03)	36.00	M5x8	2.00	2.75	2.6	
1/4"	inch	0.44	3.62	6.26	1.38	1.14	1.50	2.72	2.48	0.22		0.26	5.91	1.42	4.41		6.06	3.0		
DN10	mm	11.10	92.00	159.00	35.00	29.00	38.00	69.00	63.00	5.50	3/8" UNF	6.70	150.00	(F03)	36.00	M5x8	2.00	2.75	4.3	
3/8"	inch	0.44	3.62	6.26	1.38	1.14	1.50	2.72	2.48	0.22		0.26	5.91	1.42	4.41		6.06	5.0		
DN15	mm	11.10	92.00	159.00	35.00	29.00	38.00	69.00	63.00	5.50	3/8" UNF	6.70	150.00	(F03)	36.00	M5x8	2.00	2.75	6.9	
1/2"	inch	0.44	3.62	6.26	1.38	1.14	1.50	2.72	2.48	0.22		0.26	5.91	1.42	4.41		6.06	8.0		
DN20	mm	13.00	100.00	169.00	40.00	34.10	52.40	89.00	82.20	7.50	7/16" UNF	11.30	172.60	(F04)	42.00	M5x8	3.50	4.30	10	
3/4"	inch	0.51	3.94	6.65	1.57	1.34	2.06	3.50	3.24	0.30		0.44	6.80	1.65	7.72		9.48	12		
DN25	mm	20.60	125.00	190.00	49.00	43.70	66.00	104.00	92.50	8.70	9/16" UNF	14.30	230.00	(F05)	50.00	M6x8	6.00	6.80	28	
1"	inch	0.81	4.92	7.48	1.93	1.72	2.60	4.09	3.64	0.34		0.56	9.06	1.97	13.23		14.99	32		
DN32	mm	25.40	133.00	193.00	49.00	51.50	69.50	119.00	96.00	8.70	9/16" UNF	14.30	237.00	(F05)	50.00	M6x8	8.50	9.50	49	
1 1/4"	inch	1.00	5.24	7.60	1.93	2.03	2.74	4.69	3.78	0.34		0.56	9.33	1.97	18.74		20.95	57		



High Pressure Floating Ball 3 Piece

Components & materials



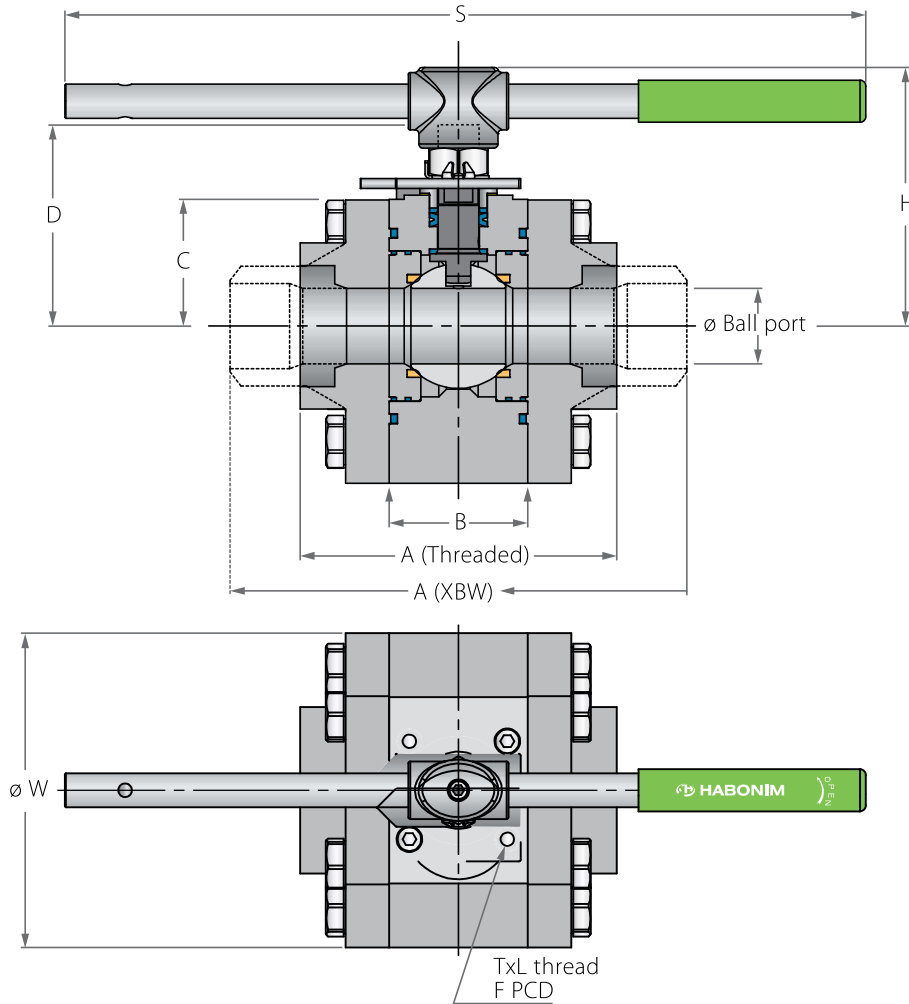
Item	Description	Material specification	Qty.
1	Body	Acc. Ordering Code	1
2	End	Acc. Ordering Code	2
3	Ball	Acc. Ordering Code	1
4	Stem	Acc. Ordering Code	1
5*	Seat insert	Acc. Ordering Code	2
5A*	Seat housing	S. Steel	2
5B*	Seat seal	Acc. Ordering Code	2
6*	Seat seal	Acc. Ordering Code	2
6A*	Body seal	Acc. Ordering Code	2
7*	Stem thrust seal	PEEK, CF PEEK, PCTFE	1
7a**	Anti-abrasion ring	PEEK, CF PEEK, PCTFE	1
8	Stop pin	S. Steel	1
9*	Stem seal	CF PTFE, TFM	1
10	Follower	S. Steel	1

Item	Description	Material specification	Qty.
10A*	Slide bearing	S. Steel	1
11	Disc spring	S. Steel	2
12	Stem nut	S. Steel	1
13	Locking clip	S. Steel	1
14	Handle	S. Steel	1
15	Serrated washer	S. Steel	1
16	Handle nut	S. Steel	1
17	Sleeve	PVC	1
18	Body bolt	S. Steel	12-16
20	Anti static spring	S. Steel	1
21	Anti static plunger	S. Steel	1
23	Tag (not shown)	S. Steel	1

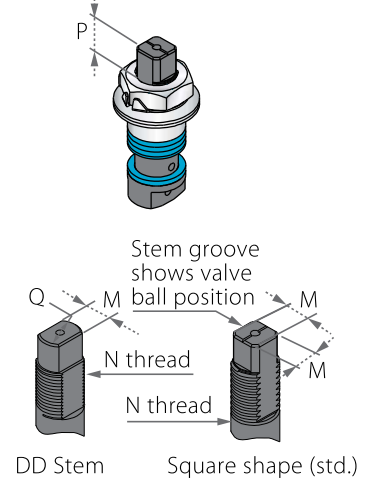
* Repair kit components

High Pressure Floating Ball 3 Piece

Valve dimensions



Preparation for actuation



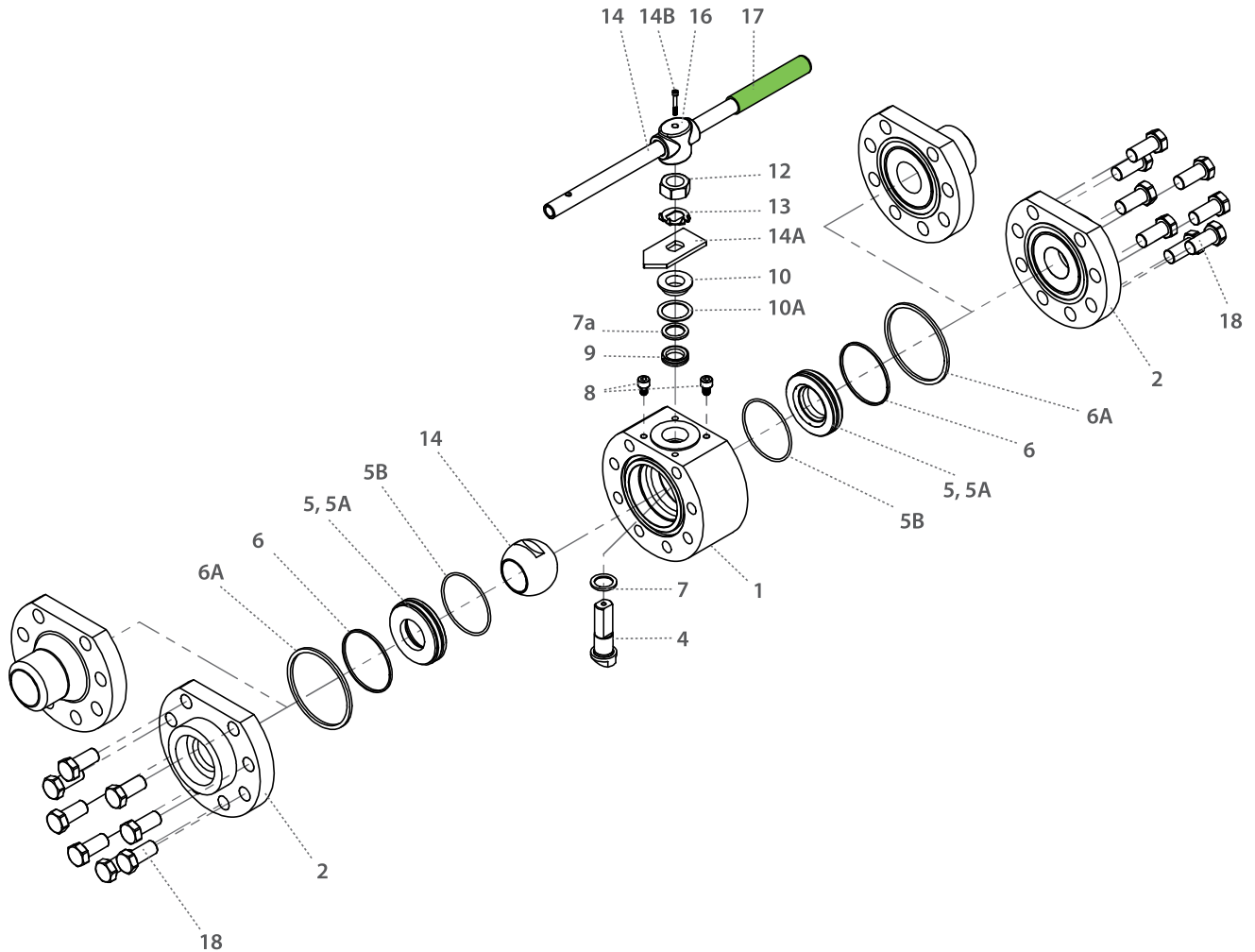
Valve Face To Face sizes are according to Habonim catalog data only, for Extended-weald/Flanged/Tri-clamp end see Face To Face sizes page.

Std. port	Unit	Ball port	A THD	A XBW/XSW	B	C	D	ØW	H	M	N	P	Q	S	ISO PCD	F	TxL	Weight		Kv
																		THD	XBW	
DN40	mm	31.80	154.00	237.00	70.00	53.00	94.60	134.00	123.30	13.90	M20x2.5	14.25	Full thread	400.00 (F07)	70.00	M8x10	12.50	14.50	69	
1½"	inch	1.25	6.06	9.49	2.76	2.09	3.72	5.28	4.85	0.55		0.56					15.75	2.76	27.56	31.97
DN50	mm	38.20	170.00	241.00	70.00	64.10	101.60	169.00	147.00	13.90	M20x2.5	13.80	Full thread	400.00 (F07)	70.00	M8x10	18.70	22.00	102	
2"	inch	1.50	6.18	9.49	2.76	2.52	4.00	6.65	5.79	0.55		0.54					15.75	2.76	41.23	48.51
DN65	mm	50.90	194.00	302.00	94.00	87.50	134.00	197.00	174.50	18.90	1-¼" UNS-2A	20.00	22.70	610.00 (F10)	102.00	M10x13	34.00	36.00	208	
2½"	inch	2.00	7.64	11.89	3.70	3.44	5.28	7.76	6.87	0.74		0.79	0.89	24.02	4.02		74.97	79.38	241	
DN80	mm	63.75	254.00	378.00	115.00	110.00	167.60	249.00	229.50	28.50	1-½" UNF-2A	22.25	35.20	916.00 (F12)	125.00	M12x18	66.00	76.00	300	
3"	inch	2.51	10.00	14.88	4.53	4.33	6.60	9.80	9.04	1.12		0.88	1.39	36.06	4.92		145.53	167.58	348	
DN100	mm	82.80	N/A	410.00	130.00	136.00	203.00	298.00	263.00	28.50	1-½" UNF-2A	30.00	35.20	916.00 (F14)	140.00	M16x20	-	110.00	615	
4"	inch	3.26	N/A	16.14	5.12	5.35	7.99	11.73	10.35	1.12		1.18	1.39	36.06	5.51		-	242.55	713	
DN150	mm	111.10	N/A	510.00	175.00	177.00	281.00	389.00	-	35.90	2" UN-2A	40.00	43.50	-	(F16)	165.00	M20x25	-	235.00	872
6"	inch	4.37	N/A	20.08	6.89	6.97	11.06	15.31	-	1.41		1.57	1.71	-	6.50	-		518.18	1012	
DN200	mm	144.40	N/A	650.00	210.00	227.00	367.00	489.00	-	45.90	2-¾" UN-2A	50.60	-	-	-	165.00	M24x25	-	490.00	1552
8"	inch	5.69	N/A	25.59	8.27	8.94	14.45	19.25	-	1.81		1.99	-	-	6.50	-		1080.45	1800	



High Pressure Floating Ball 3 Piece

Components & materials



Item	Description	Material specification	Qty.
1	Body	Acc. Ordering Code	1
2	End	Acc. Ordering Code	2
3	Ball	Acc. Ordering Code	1
4	Stem	Acc. Ordering Code	1
5*	Seat insert	Acc. Ordering Code	2
5A*	Seat housing	S. Steel	2
5B*	Seat seal	Acc. Ordering Code	2
6*	Seat seal	Acc. Ordering Code	2
6A*	Body seal	Acc. Ordering Code	2
7*	Stem thrust seal	PEEK, CF PEEK, PCTFE	1
7a*	Anti-abrasion ring	PEEK, CF PEEK, PCTFE	1
8	Stop pin	S. Steel	1
9*	Stem seal	CF PTFE, TFM	1
10	Follower	S. Steel	1

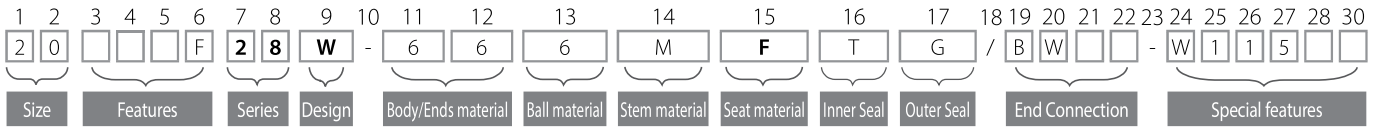
Item	Description	Material specification	Qty.
10A*	Slide bearing	S. Steel	1
11	Disc spring	S. Steel	2
12	Stem nut	S. Steel	1
13	Locking clip	S. Steel	1
14	Handle	S. Steel	1
15	Serrated washer	S. Steel	1
16	Handle nut	S. Steel	1
17	Sleeve	PVC	1
18	Body bolts	S. Steel	12-16
20	Anti static spring	S. Steel	1
21	Anti static plunger	S. Steel	1
23	Tag (not shown)	S. Steel	1

* Repair kit components



High Pressure Floating Ball 3 Piece - Ordering Code System

"Mandatory option" options are marked with **green background** | "Standard offer" options are marked with **light green background**



Size (1-2)		
Code	inch	mm
02	¼"	8
03	⅜"	10
05	½"	15
07	¾"	20
10	1"	25
12	1¼"	32
15	1½"	40
20	2"	50
25	2½"	65
30	3"	80
40	4"	100
60	6"	150

Features (3-6)	
F	Fire safe
B	Full port
O	Clean assembly for O2 service
H	Hydrogen Service

Series (7-8)	
28	HP Float 3 piece

Design (9)	
W	Total HermetiX Integrity package

Body/Ends material (11-12)	
6	S. Steel 316L
4	C. steel A105
Z	Inconel 718 B637
7	Monel
A	Alloy-20 A351 CN7M
W	Alloy-C22 B574
D	Duplex
K	Super Duplex
S	254SMO
F	C. steel LF2

Ball material (13)	
6	S. Steel 316L
M	High Strength S. Steel
Z	Inconel 718 B637
7	Monel
A	Alloy-20 A351 CN7M
W	Alloy-C22 B574
D	Duplex A479
K	Super Duplex A479
S	254SMO A479

Stem material (14)	
M	High Strength S. Steel
Z	Inconel 718 B637
7	Inconel 718 B637
W	Alloy-C22 B574
D	Duplex A479
K	Super Duplex A479

Seat material (15)	
F	Hybrid Seat (info in special features)

Inner Seal Material (16)	
T	PTFE
G	Expanded graphite
V	Viton
B	NBR

Outer Seal Material (17)	
G	Expanded graphite
T	PTFE
V	Viton
B	NBR

End connections (19-22)	
Welded Ends	
XBW160*	Extended butt weld ends (sch160)
XSW	Extended socket weld ends
BW80	butt weld ends (sch80)
BW160*	butt weld ends (sch160)
SW	Socket weld ends
XBW80	Extended butt weld ends (sch80)
XBWXXS*	Extended butt weld ends (sch XXS)
Threaded Ends	
NPT	ASME B1.20.1 - National Pipe Taper thread
BSPT	EN 10226 - Pipe Taper thread
BSPP	ISO228-1, DIN3852 - Pipe Parallel thread
DIN3852	DIN3852 - Pipe Parallel thread
AS5202	AS 5202 on-face gasket sealing threaded connection
Flanged RF	
1500	ANSI B16.5 #1500 RF
2500	ANSI B16.5 #2500 RF
PN160-F3	EN1092 PN160, FTF F3
PN250-F3	EN1092 PN250, FTF F3
PN320-F3	EN1092 PN320, FTF F3
PN400-F3	EN1092 PN400, FTF F3
Flanged RTJ	
1500RTJ	ANSI B16.5 #1500 RTJ
2500RTJ	ANSI B16.5 #2500 RTJ
Flanged SAE J518 / ISO 6162 Threaded	
SAE3000	Code 61/ISO 6162-1 Flat face
SAE6000	Code 62/ISO 6162-2 Flat face

Hybrid Seats (24-27)

24	25	26	27
Insert material	Upstream / Downstream	Insert Shape	Seal Type
W PVDF	0 Hybrid seats on upstream and downstream, spring loaded	0 Scraper	5 L+PTFE+Graphite
K CF PEEK			
C PCTFE			
L Virgin PEEK	1 Hybrid seats on upstream and downstream	1 Round	1 U+NBR
Y Delrin			0 U+Viton
			6 L+PTFE

* St. Port only

Special Features (24-30)	
P250	Ball with upstream pressure relief hole
Valve Special Stem Seals	
HC	High Cycle service