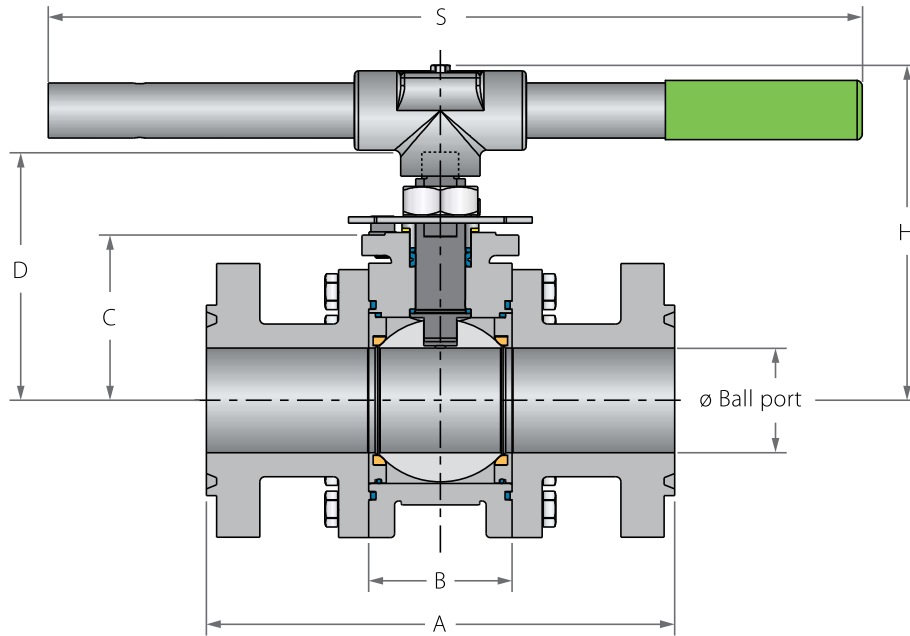
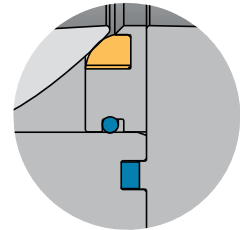


## Floating Ball 3 Piece

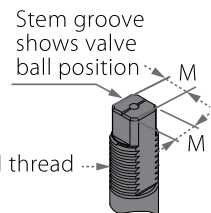
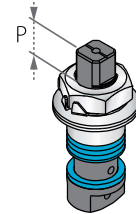
### Valve dimensions



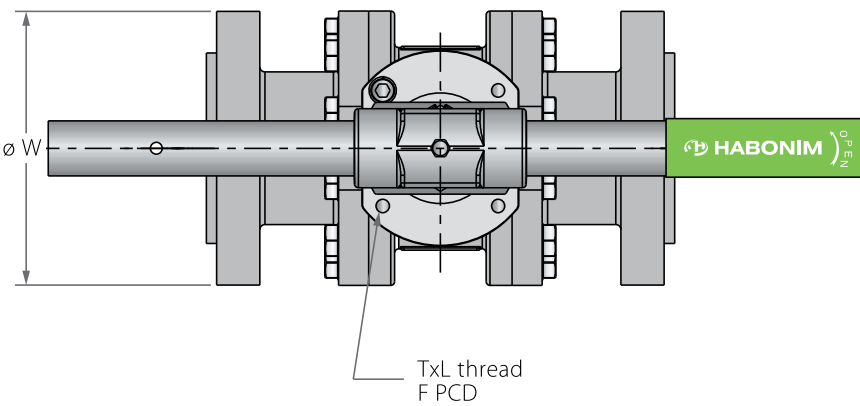
Optional hybrid seat U-shape



Preparation for actuation



Square



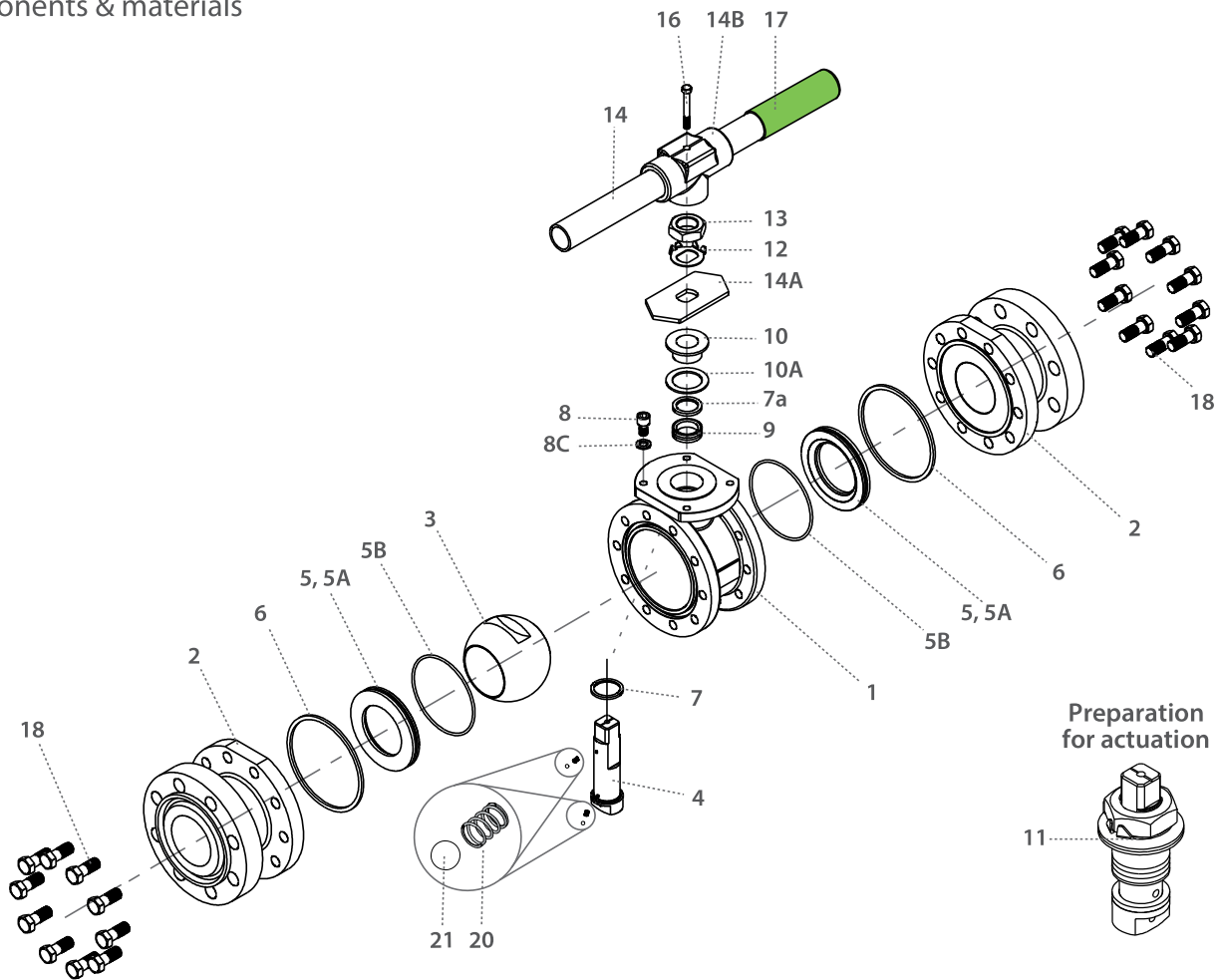
Std. port	Unit	Ball port	A (RF)	A (RTJ)	B	C	D	H	S	W	M	M-DD	N	P	Q	F	TxL	Weight kg/lb	Kv Cv
DN50	mm	51.00	292.10	292.15	75.00	87.50	134.00	174.45	401.00	165.10	18.90	15.90	1"-14	16.70	22.70	(F10)	102.00	M10x12	14.20 430
2"	inch	2.01	11.50	11.62	2.95	3.44	5.28	6.87	15.79	6.50	0.74	0.63	UNS-2A	0.66	0.89		4.02		31.30 499
DN80	mm	80.00	355.60	358.65	110.00	126.50	195.90	256.60	916.00	209.55	28.45	23.75	1½"-12	26.20	35.20	(F12)	125.00	M12x16	37.00 1000
3"	inch	3.15	14.00	14.12	4.33	4.98	7.71	10.10	36.06	8.25	1.12	0.94	UNF-2A	1.03	1.39		4.92		81.60 1160
DN100	mm	100.00	431.80	434.85	135.00	142.40	211.90	273.00	916.00	273.05	28.45	23.75	1½"-12	26.20	35.20	(F12)	125.00	M12x18	58.00 1830
4"	inch	3.94	17.00	17.12	5.31	5.61	8.34	10.75	36.06	10.75	1.12	0.94	UNF-2A	1.03	1.39		4.92		128.00 2123
DN150	mm	150.00	558.80	561.85	190.00	194.00	307.00	-	-	355.60	35.92	35.92	2"-8	40.00	46.50	(F14)	140.00	M16x18	126.00 4380
6"	inch	5.91	22.00	22.12	7.48	7.64	12.09	-	-	14.00	1.41	1.41	UN-2A	1.57	1.83		5.51		278.00 5081
DN200	mm	200.00	660.40	663.45	275.00	245.00	400.00	-	-	419.10	45.90	45.90	2¾"-8	50.00	55.00	(F16)	165.00	M20x28	314.00 8070
8"	inch	7.87	26.00	26.12	10.83	9.65	15.75	-	-	16.50	1.81	1.81	UN-2A	1.97	2.17		6.50		692.20 9361

<sup>(1)</sup> Due to high valve torque, pipe handle cannot be used. A manual gear or automation means should be used to operate the valve.



## Floating Ball 3 Piece

### Components & materials



Item	Description	Material specification	Qty.
1	Body	Acc. Ordering Code	1
2	Ends	Acc. Ordering Code	2
3	Ball	Acc. Ordering Code	1
4	Stem	Acc. Ordering Code	1
5*	Seat insert	Acc. Ordering Code	2
5A*	Seat housing	S. Steel	2
5B*	Seat seal	Graphite, PTFE	2
6*	Inner seal	Graphite, PTFE	2
7*	Stem thrust seal	PEEK, CF PEEK, PCTFE	1
7a*	Anti-abrasion ring	PEEK, CF PEEK, PCTFE	1
8	Stop pin	S. Steel	1
9*	Stem seal	CF PTFE, TFM	1
10	Follower	S. Steel	1
10A*	Slide bearing	S. Steel	1

Item	Description	Material specification	Qty.
11	Disc spring	S. Steel	2
12	Stem nut	S. Steel	1
13	Tab lock washer	S. Steel	1
14**	Handle	S. Steel	1
14A	Stop plate	S. Steel	1
14B	Wrench head	S. Steel	1
16	Wrench bolt	S. Steel	1
17	Sleeve	PVC	1
18	Body bolts	S. Steel	20-24-32
20	Anti-static spring	S. Steel	2
21	Anti-static plunger	S. Steel	2
23	Tag (not shown)	S. Steel	1

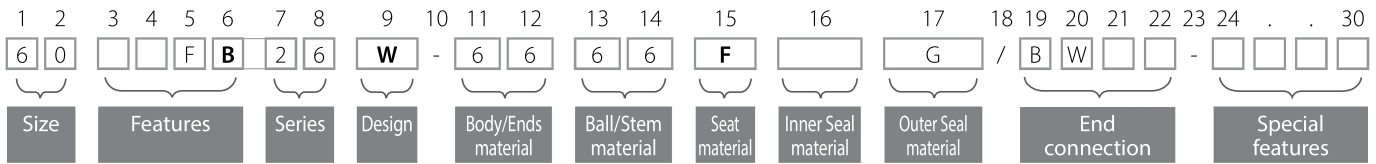
\* Repair kit components

\*\* Gear operator should be used for size 6" DN150 and above (handle components are not included)



# Floating Ball 3 Piece - Ordering Code System

"Mandatory option" options are marked with **green background** | "Standard offer" options are marked with **light green background**



Size (1-2)		
Code	inch	mm
20	2"	50
30	3"	80
40	4"	100
60	6"	150
80	8"	200

Features (3-6)	
F	Fire safe
B	<b>Full port</b>
O	Clean assembly for O2 service
M	Ammonia service
K	Chlorine service

Series (7-8)	
26	<b>Floating ball 3 piece</b>

Design (9)	
W	<b>HermetiX Fire - Safe</b>

Body/Ends material (11-12)	
6	S. Steel CF8M
4	C. steel A216 WCB/A105
9	C. steel A352 LCB

Ball material (13)	
6	S. Steel316L

Stem material (14)	
6	S. Steel316L
M	High Strength S. Steel
Z	Inconel 718 B637

Seat material (15)	
F	<b>Hybrid Seat (info in special features)</b>

Outer Seal Material (17)	
G	Expanded graphite
T	PTFE

End Connection (19-22)	
Welded	
XBW40	Extended butt weld schd. 40
XBW80	Extended butt weld schd. 80
Flanged	
600	ASME B16.5 #600 RF
PN63	EN1092 PN63 RF
PN100	EN1092 PN100 RF

Special Features (24-30)	
RTJ	Ring Type Joint
P250	Ball with Upstream Relief Hole

Valve Special Stem Seals	
HC	High Cycle service
LAX	FDA Compliant, Stem seal, Virgin Peek thrust and TFM, X shape, gasket

Hybrid Seats (24-27)	
Insert material	
K	CF PEEK
P	CF PTFE
W	PVDF
Upstream/Downstream	
1	<b>Hybrid seats on upstream and downstream</b>
Insert Shape	
1	<b>Round</b>
Seal Type	
0	U+Viton
6	L+PTFE
1	U+NBR
3	U+Low Temp. NBR
5	L+Graphite

## Lifting Device

The 26 Series is equipped with a lifting device to ease installation. The maximum allowable load is indicated in the below table.

Std. port	Unit	Weight
DN50	kg	1000
2"	lb	2205
DN80	kg	3000
3"	lb	6614
DN100	kg	4400
4"	lb	9700
DN150	kg	5800
6"	lb	12787
DN200	kg	5800
8"	lb	12787

